

Installation and Servicing Instructions

E-Tec Plus 28NX, 33NX and 38NX

**Wall Mounted, Fan Assisted, Room Sealed,
Gas Fired, High Efficiency Condensing Combination Boiler**

For Technical help or for Service call ...
ALPHA HELPLINE Tel: 0344 871 8764
website: www.alpha-innovation.co.uk

Alpha
HEATING INNOVATION

Nepicar House, London Road,
Wrotham Heath, Sevenoaks,
Kent TN15 7RS

| | |
|-----------------------|--------------------|
| Alpha E-Tec Plus 28NX | G.C. No. 47 532 89 |
| Alpha E-Tec Plus 33NX | G.C. No. 47 532 90 |
| Alpha E-Tec Plus 38NX | G.C. No. 47 532 91 |



Leave these instructions with the User

BENCHMARK SCHEME

To comply with Building Regulations Part L1 (Part 6 in Scotland) the boiler should be installed in accordance with the manufacturer's instructions. Self-certification that the boiler has been installed to comply with Building Regulations can be demonstrated by completing and signing the Benchmark Checklist at the back of these instructions.



Code of Practice

For the installation, commissioning and servicing of domestic heating and hot water products.

Benchmark places responsibilities on both manufacturers and installers*. The purpose is to ensure that customers** are provided with the correct equipment for their needs, that it is installed, commissioned and serviced in accordance with the manufacturer's instructions by competent persons and that it meets the requirements of the appropriate Building Regulations. Installers are required to carry out work in accordance with the following:

Standards of Work

- Be competent and qualified to undertake the work required.
- Install, commission, service and use products in accordance with the manufacturer's instructions provided.
- Ensure that where there is responsibility for design work, the installation is correctly sized and fit for purpose.
- Meet the requirements of the appropriate Building Regulations. Where this involves notifiable work be a member of a Competent Persons Scheme or confirm that the customer has notified Local Authority Control (LABC), prior to work commencing.
- Complete all relevant sections of the Benchmark Checklist/Service Record when carrying out commissioning or servicing of a product or system.
- Ensure that the product or system is left in a safe condition and, where possible, in good working order.
- Highlight to the customer any remedial or improvement work identified during the course of commissioning or servicing work.
- Refer to the manufacturer's helpline where assistance is needed.
- Report product faults and concerns to the manufacturer in a timely manner.

Customer Service

- Show the customer any identity card that is relevant to the work being carried out prior to commencement or on request.
- Give a full and clear explanation/demonstration of the product or system and its operation to the customer.
- Hand over the manufacturer's instructions, including the Benchmark Checklist, to the customer on completion of an installation.
- Obtain the customer's signature on the Benchmark Checklist to confirm satisfactory demonstration and receipt of manufacturer's instructions.
- Advise the customer that regular product servicing is needed, in line with manufacturers' recommendations, to ensure that safety and efficiency is maintained.
- Respond promptly to calls from a customer following completion of their work, providing advice and assistance by phone and, if necessary, visiting the customer.
- Rectify any installation problems at no cost to the customer during the installer's guarantee period.

* The use of the word "installer" is not limited to installation itself and covers those carrying out installation, commissioning and/or servicing of heating and hot water products, or the use of supporting products (such as water treatment or test equipment).

** Customer includes householders, landlords and tenants.

Benchmark Commissioning and Servicing Section

It is a requirement that the boiler is installed and commissioned to the manufacturers instructions and the data fields on the commissioning checklist completed in full.

To instigate the boiler guarantee the boiler needs to be registered with the manufacturer within one month of the installation.

To maintain the boiler guarantee it is essential that the boiler is serviced annually by a Gas Safe registered engineer who has been trained on the boiler installed. The service details should be recorded on the Benchmark Service Interval Record and left with the householder.

www.centralheating.co.uk



Useful contact details: Gas Safe Register - 0800 408 5577 - www.gassaferegister.co.uk

Alpha Heating Innovation: General Sales Enquiries - 0344 871 8760
Technical Helpline - 0344 871 8764

CONTENTS

| | | | | | |
|---|--------------------------------------|----|----|------------------------------------|----|
| 1 | Introduction..... | 3 | 8 | Component replacement..... | 55 |
| 2 | Safety symbols and information | 4 | 9 | Wiring diagram | 60 |
| 3 | Technical data | 6 | 10 | Error codes and fault finding..... | 61 |
| 4 | General boiler information | 11 | 11 | Short parts list | 64 |
| 5 | Installation | 18 | 12 | Energy classification..... | 65 |
| 6 | Commissioning..... | 32 | | Benchmark Checklist..... | 71 |
| 7 | Routine servicing..... | 49 | | Service Record..... | 72 |

1 INTRODUCTION

The E-Tec Plus 28NX, 33NX and 38NX are wall mounted, room sealed, fan assisted, high efficiency, condensing boilers. The burner is lit electronically and the heat output is controlled by a modulating fan and gas valve.

The E-Tec Plus 28NX, 33NX and 38NX are combination boilers providing both central heating and domestic hot water at mains pressure.

The boiler is supplied with a pump, pressure relief valve, expansion vessel and pressure gauge fully assembled and tested. It is designed for use with a fully pumped, sealed and pressurised central heating system.

The boiler is approved for operation with Natural Gas (G20), a mixture of Natural Gas and Hydrogen at 20% by volume (20%H2NG) and LPG (G31).

IMPORTANT

Failure to install and commission this appliance in compliance with the manufacturer's instructions may invalidate the warranty.

It is the law that all gas appliances are installed by a competent person, ie Gas Safe registered personnel, in accordance with the following recommendations:-

Current Gas Safety (Installation and Use) Regulations

All current Building Regulations issued by the Department of the Environment, i.e. Approved Document L26.

Building Standards (Scotland) (Consolidation) Regulations issued by the Scottish Development Department

UK Water Regulations/Byelaws (Scotland)

Health & Safety Document No. 635 (The Electricity At Work Regulations 1989)

The installation should also be in accordance with the following British Standard Codes of Practice:-

BS 5440-1: 2008.....Flueing and Ventilation Requirements

BS 5440-2: 2009.....Installation and Maintenance of Flues and Ventilation

BS 5546: 2010.....Specification for Water Heating Appliances

BS 6798: 2009.....Specification for Installation gas fired boilers up to 70 kW

BS 6891: 2005 + A2: 2008.....Installation of low pressure Gas Pipework

IGEM/UP/2

IGEM/UP/4

IGE/UP/10

IGEM/UP/16

IGE/UP/1 and 1B.....Strength Testing and tightness testing Natural Gas Installations

Reference should also be made to any other standards and requirements relating to the installation depending on the location and use.

Reference should be made to DEFRA document 'Guide to condensing boiler installation assessment procedures for dwellings'.

If installation is in a timber framed building, refer to the Institute of Gas Engineers document IGE/UP/7.

This appliance meets the requirements of IPX5D, ie degree of protection against moisture.

This appliance contains no asbestos and no substances have been used in the construction process that contravene the COSHH Regulations (Control of Substances Hazardous to Health).

Failure to install this appliance correctly could lead to prosecution. It is in your own interest and that of safety to ensure that the law is complied with.

Manufacturer's instructions must **NOT** be taken in anyway as over-riding statutory obligations.

Any modifications to the appliance not explicitly indicated in this manual is forbidden.

Failure to comply with the installation instructions implies personal responsibility and may invalidate the warranty.

- Notes:**
1. Ensure that the Benchmark Checklist has been completed after the boiler has been installed and commissioned.
 2. It is the law that all domestic boiler installations are registered by the installer through the Gas Safe Notification Scheme.
 3. The boiler must only be used with Alpha CD condensing flue components.

Propane Gas (LPG) - In addition to the regulations and requirements stated, the boiler **must be** installed in accordance with BS 5482:1 - The Installation of Propane Burning Appliances in Permanent Dwellings.



2 SAFETY SYMBOLS and INFORMATION



GENERIC HAZARD

Strictly follow all of the indications next to the symbol. Failure to follow the indications can generate hazard situations resulting in possible harm to the health of the operator and user in general.



ELECTRICAL HAZARD

Strictly follow all of the indications next to the symbol. The symbol indicates the appliance's electrical components or, in this manual, identifies actions that can cause an electrical hazard.



MOVING PARTS

The symbol indicates the appliance's moving components that can cause hazards..



HOT SURFACES

The symbol indicates the appliance's very hot components that can cause burns.



SHARP SURFACES

The symbol indicates the appliance's components or parts that can cause cuts if touched.



EARTH TERMINAL CONNECTION

The symbol identifies the appliance's earth terminal connection point.



READ AND UNDERSTAND THE INSTRUCTIONS

Read and understand the appliance's instructions before performing any operation, carefully following the indications provided.



INFORMATION

Indicates useful tips or additional information.



RECOVERABLE OR RECYCLABLE MATERIAL



The user must not dispose of the appliance at the end of its service life as municipal waste, but send it to appropriate collection centres.

PERSONAL PROTECTIVE EQUIPMENT



SAFETY GLOVES



SAFETY GOGGLES




SAFETY FOOTWEAR

2.1 ELECTRICAL SUPPLY



ATTENTION:

The power supply cable must be connected to a 230 V $\pm 10\%$ / 50 Hz mains supply respecting L - N polarity and earth connection; , this must be connected to a fused 3 A double pole switch with class III overvoltage category (contact separation of at least 3 mm in both poles) or a fused 3 A 3-pin plug and unswitched shuttered socket outlet (both complying with BS 1363) in compliance with installation regulations.

The boiler is supplied with a 'Special X' type electrical connection with a PVC <HAR> H05VV-F 3 x 0.75 cable without a plug.

If the power cable is damaged or replaced, it must be replaced with a cable supplied by Alpha or authorized After-Sale Technical Service. Replacement is recommended using a qualified company in order to prevent any risk.

The boiler must be earthed.

There must only be one common isolator, providing complete electrical isolation, for the boiler and any external controls.

Wiring external to the boiler must be in accordance with the current IEE Wiring Regulations (BS 7671).

Note: If a room thermostat is fitted, it must be suitable for 230 V switching.

If the boiler is locked out and an error code is shown on the display, the **RESET** button can be pressed to try and clear the fault. If the fault still occurs after pressing the **RESET** button, then contact an approved engineer or Alpha service support department.

2.2 DOMESTIC HOT WATER SYSTEM



The minimum flow rate needed for the flow switch and burner to operate is 1.5 litres/min.

The incoming mains water pressure should be between 0.2 bar (0.02 MPa) and 5 bar (0.5 MPa) to ensure efficient operation. If the pressure is above 5 bar a pressure reducing valve must be fitted.

Following Part L Building Regulations, where the mains water hardness exceeds 200 parts per million, provision should be made to treat the feed water to the hot water circuit of combination boilers to reduce the rate of accumulation of limescale.

To ensure economic use, the pipe runs between the boiler and taps should be in 15 mm copper pipe and be as short as possible. Where possible the pipework should be insulated to reduce heat loss.

All taps and mixing valves used with the hot water system must be suitable for operating at a mains pressure of up to 8 bar.

Showers - A shower may be used with the boiler if required.

If a loose or flexible head type shower is used it may require the fitting of a double check valve, to comply with Water By Law 17.

Bidets - No anti-syphonage arrangements are necessary, provided the outlets are shrouded and it is not possible to attach a temporary hand held spray. A supply of direct mains fed hot and cold water is permitted provided the appliance is of the over-rim flushing type.

If the mains supply is fitted with a water meter, check valve or loose jumper stop cock, then a DHW expansion device **MUST** be fitted.

Before the mains water supply pipe is connected to the boiler, it should be thoroughly flushed out to avoid the danger of dirt or foreign matter entering the boiler.

2.3 PHYSICAL DATA



| | | | |
|--|-----------------------|--------|------|
| Boiler flow and return connections | mm | 22 | |
| DHW inlet (cold) DHW outlet (hot) connections | mm | 15 | |
| Gas connection diameter | mm | 22 | |
| Boiler dimensions | Height | mm | 712 |
| | Width | mm | 440 |
| | Depth | mm | 275 |
| Clearances for servicing | Bottom | mm | 150 |
| | Bottom (with jig) | mm | 250 |
| | Top (horizontal flue) | mm | 240 |
| | Top (vertical flue) | mm | 150 |
| | Sides | mm | 5 |
| | Front | mm | 450 |
| Recommended hole size for flue pipe | mm | 110 | |
| Recommended hole size for instalation from inside the building | mm | 130 | |
| Boiler dry lift weight | E-Tec Plus 28NX | kg | 31.2 |
| | E-Tec Plus 33NX | kg | 33.4 |
| | E-Tec Plus 38NX | kg | 33.4 |
| Boiler operating weight (full of water) approx. | E-Tec Plus 28NX | kg | 34.5 |
| | E-Tec Plus 33NX | kg | 36.8 |
| | E-Tec Plus 38NX | kg | 36.8 |
| Max. total flue length | Horizontal | m | 12 |
| Max. total flue length | Vertical | m | 14 |
| Flue system diameter | mm | 60/100 | |

3 TECHNICAL DATA

3.1 TECHNICAL PERFORMANCE DATA - NATURAL GAS (Cat I2H 2H - G20 20 mbar)



| | | E-Tec Plus 28NX | E-Tec Plus 33NX | E-Tec Plus 38NX |
|---|-----------|-------------------------|-----------------|-----------------|
| Heat input gross - DHW | kW | 31.9 | 36.3 | 42.2 |
| Heat input gross - CH | kW | 27.2 | 31.7 | 36.3 |
| Heat input net - DHW | kW | 28.7 | 32.7 | 38.0 |
| Heat input net - CH | kW | 24.5 | 28.6 | 32.7 |
| Heat input net DHW (H2NG) | kW | 27.1 | 31.5 | 35.0 |
| Heat input net CH (H2NG) | kW | 23.2 | 27.6 | 30.0 |
| Heat output condensing (50/30°C) - CH | kW | 26.1 | 30.4 | 34.8 |
| Heat output non condensing (80/60°C) CH | kW | 24.0 | 28.0 | 32.0 |
| Heat input minimum gross | kW | 5.0 | 5.6 | 6.7 |
| Heat input minimum net | kW | 4.5 | 5.0 | 6.0 |
| Heat input minimum net (H2NG) | kW | 4.3 | 4.8 | 5.8 |
| Heat output minimum - CH | kW | 4.3 | 4.8 | 5.8 |
| Heat output nominal - DHW | kW | 28.0 | 32.0 | 36.9 |
| Gas rate at maximum output | m³/h | 3.04 | 3.46 | 4.02 |
| Gas supply pressure nominal (minimum) | mbar | 20 (17) | 20 (17) | 20 (17) |
| Max. CH temperature - Set point | °C | 85 | 85 | 85 |
| Gas burner injector diameter | mm | 4.90 | 5.7 | 6.4 |
| DHW flow rate at 35°C rise | l/min | 12.1 | 14.1 | 15.4 |
| DHW flow rate at 30°C rise - EN13203-1 | l/min | 14.1 | 16.5 | 17.9 |
| Dry NOx weight (net calorific value) | mg/kWh | 38.8 | 34.1 | 27.8 |
| Dry NOx | ppm | 22.0 | 19.3 | 15.8 |
| NOx | Class | 6 | 6 | 6 |
| Factory set CO2 | | | | |
| CO2 at maximum DHW output | % | 9.2 (9.1 - 9.5) | 9.2 (9.1 - 9.5) | 8.7 (8.6 - 9.0) |
| O2 at maximum DHW output | % | 4.4 (3.9 - 4.6) | 4.4 (3.9 - 4.6) | 5.3 (4.8 - 5.5) |
| CO2 at minimum output | % | 8.5 (8.3 - 8.7) | 8.6 (8.3 - 8.7) | 8.5 (8.2 - 8.6) |
| O2 at minimum output | % | 5.7 (5.3 - 6.0) | 5.5 (5.3 - 6.0) | 5.7 (5.5 - 6.2) |
| CO (maximum) | ppm | 0.003 | 0.003 | 0.003 |
| Maximum CO/CO2 | Ratio | 250 | 250 | 250 |
| SAP/SEDBUK seasonality efficiency 2005 | % | 90.2 | 90.2 | 90.2 |
| SAP/SEDBUK seasonality efficiency 2009 | % | 89.4 | 89.4 | 89.4 |
| ErP DHW efficiency | % | 87 (XL) | 87 (XL) | 85 (XL) |
| ErP Seasonal space heating efficiency | % | 94 | 94 | 94 |
| Maximum primary system pressure | bar (MPa) | 2.5 (0.25) | 2.5 (0.25) | 2.5 (0.25) |
| Minimum primary system pressure | bar (MPa) | 0.5 (0.05) | 0.5 (0.05) | 0.5 (0.05) |
| Recommended system pressure - Cold | bar (MPa) | 1.0 (0.1) | 1.0 (0.1) | 1.0 (0.1) |
| System pressure relief valve setting | bar (MPa) | 3.0 (0.3) | 3.0 (0.3) | 3.0 (0.3) |
| Expansion vessel size | litres | 8.0 | 8.0 | 8.0 |
| Expansion vessel charge pressure | bar (MPa) | 1.0 (0.1) | 1.0 (0.1) | 1.0 (0.1) |
| Electrical power consumption - Max. | Watts | 95 | 115 | 125 |
| Electrical power consumption - Standby | Watts | 3 | 3 | 3 |
| Temp. of combustion products at max. output 80/60°C | °C | 79 | 73 | 83 |
| Maximum flue overheating temperature | °C | 120 | 120 | 120 |
| Ambient operating temperature | °C | -5 to 40 | -5 to 40 | -5 to 40 |
| Flue mass at maximum output | Kg/h | 46 | 53 | 64 |
| Flue mass at minimum output | Kg/h | 8 | 9 | 10 |
| Flue temperature at maximum output | °C | 72 | 77 | 83 |
| Flue temperature at minimum output | °C | 68 | 63 | 63 |
| Category | | II 2H3P | | |
| Type of installation | | C13, C33, C43, C63, C93 | | |

3.2 TECHNICAL PERFORMANCE DATA - LPG - PROPANE GAS (Cat I3P 3P - G31 37 mbar)



| | | E-Tec Plus 28NX | E-Tec Plus 33NX | E-Tec Plus 38NX |
|--|------------|--------------------|--------------------|-------------------|
| Heat input gross - DHW | kW | 31.2 | 35.5 | 41.3 |
| Heat input gross - CH | kW | 26.6 | 31.1 | 35.5 |
| Heat input minimum gross | kW | 4.9 | 5.4 | 6.5 |
| Gas supply pressure nominal (minimum) | mbar | 37 (32) | 37 (32) | 37 (32) |
| Gas burner injector | mm | 3.70 | 4.20 | 4.90 |
| CO2 at maximum DHW output | % | 10.2 (10.0 - 10.4) | 10.3 (10.1 - 10.5) | 10.0 (9.9 - 10.3) |
| CO2 at minimum output | % | 9.7 (9.5 - 9.9) | 9.6 (9.4 - 9.8) | 9.4 (9.1 - 9.5) |
| Gas rate at maximum output | kg/h (g/s) | 2.23 (0.62) | 2.54 (0.71) | 2.95 (0.82) |
| SAP/SEDBUK seasonality efficiency 2005 | % | 90.8 | 90.7 | 90.6 |
| SAP/SEDBUK seasonality efficiency 2009 | % | 89.5 | 89.4 | 89.3 |
| CO (maximum) | ppm | 250 | 250 | 350 |
| Flue mass at maximum output | Kg/h | 48 | 54 | 64 |
| Flue mass at minimum output | Kg/h | 8 | 9 | 11 |
| Flue temperature at maximum output | °C | 69 | 79 | 85 |
| Flue temperature at minimum output | °C | 56 | 61 | 64 |

Note: Other Technical data is the same as NG data.

3.3 FLUE LENGTHS

A 500 mm or 1000 mm Easy-Flue terminal kit with 90° bend or horizontal terminal is available.

CD 750 mm and 1000 mm flue extensions are available.

Length of Flue Required:-

Rear Flue = wall thickness + 180 mm (includes terminal).

Side Flue = wall thickness + distance between wall and side of boiler + 265 mm (includes terminal).

Vertical Flue = distance from top of boiler side panel to required roof position minus 1000 mm for vertical terminal assembly.

Maximum horizontal flue length = 12 m.

Maximum vertical flue length including terminal is 14 m.

Each additional CD 90° Bend is equivalent to 1.3 m of flue length.

Each CD 45° Bend is equivalent to 0.9 m of flue length.

The CD Vertical Flue terminal assembly is equivalent to 1 m of flue length.



3.4 PUMP

The boiler is equipped with a variable speed low power consumption pump.

During the DHW mode, the pump always runs at the maximum speed.

During the CH mode, three different functioning modes of the pump are available, Proportional, Fixed and Constant ΔT .

Proportional - The pump speed is controlled automatically in order to give a proportional pump head, the pump speed varies based on the heat output supplied by the burner - the greater the heat output the higher the pump speed. See parameter A.4 in Section 6.14.

It is possible to adjust the pump speed range in the boiler parameter menu.

Fixed - The pump runs at a constant speed by setting the same minimum and maximum speeds. See parameters A.2 and A.3 in Section 6.14.

Constant - The pump speed is controlled to give a set ΔT . See parameter A.4 in Section 6.14.

The boiler is factory set to Constant - to achieve a ΔT of 15°C (parameter A.4 is set to 15)


By-pass Regulation - The boiler leaves the factory with the by-pass open.


If necessary, the by-pass can be adjusted to the system requirements from maximum (by-pass open) to minimum (by-pass closed). Adjust using a flat head screwdriver, turn anticlockwise to close the by-pass, and clockwise to open.


With the by-pass in the closed position the system must have a continuous open circuit.

If zone valves are used in the system an external by-pass must be fitted.



When the pump is running, the symbol  flashes with green light.

When the pump power supply on, the symbol  is steady with green light.

If the pump detects an alarm, the symbol  is steady with red light.



3.5.1 E-Tec Plus 28NX Available Pump Head and Power Consumption

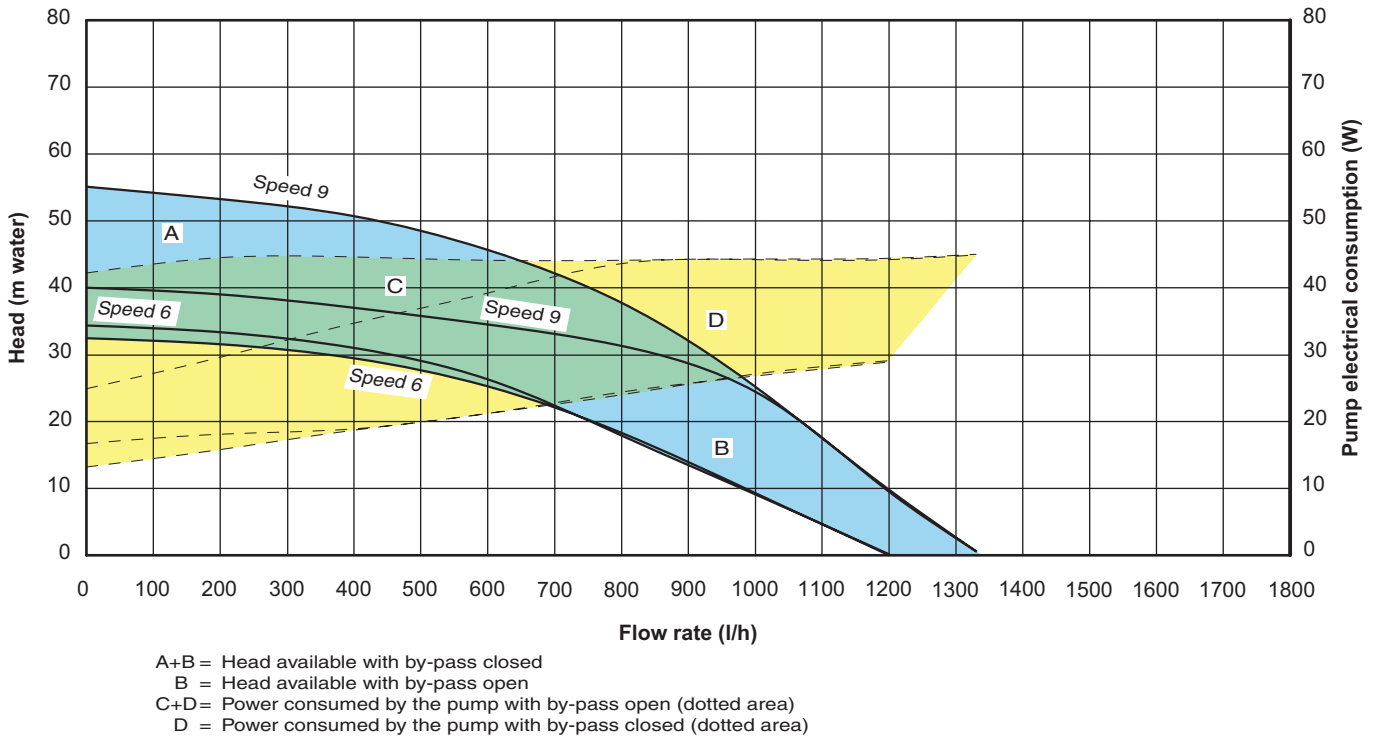


Fig. 3.1

3.5.2 E-Tec Plus 33NX and E-Tec Plus 38NX Available Pump Head and Power Consumption

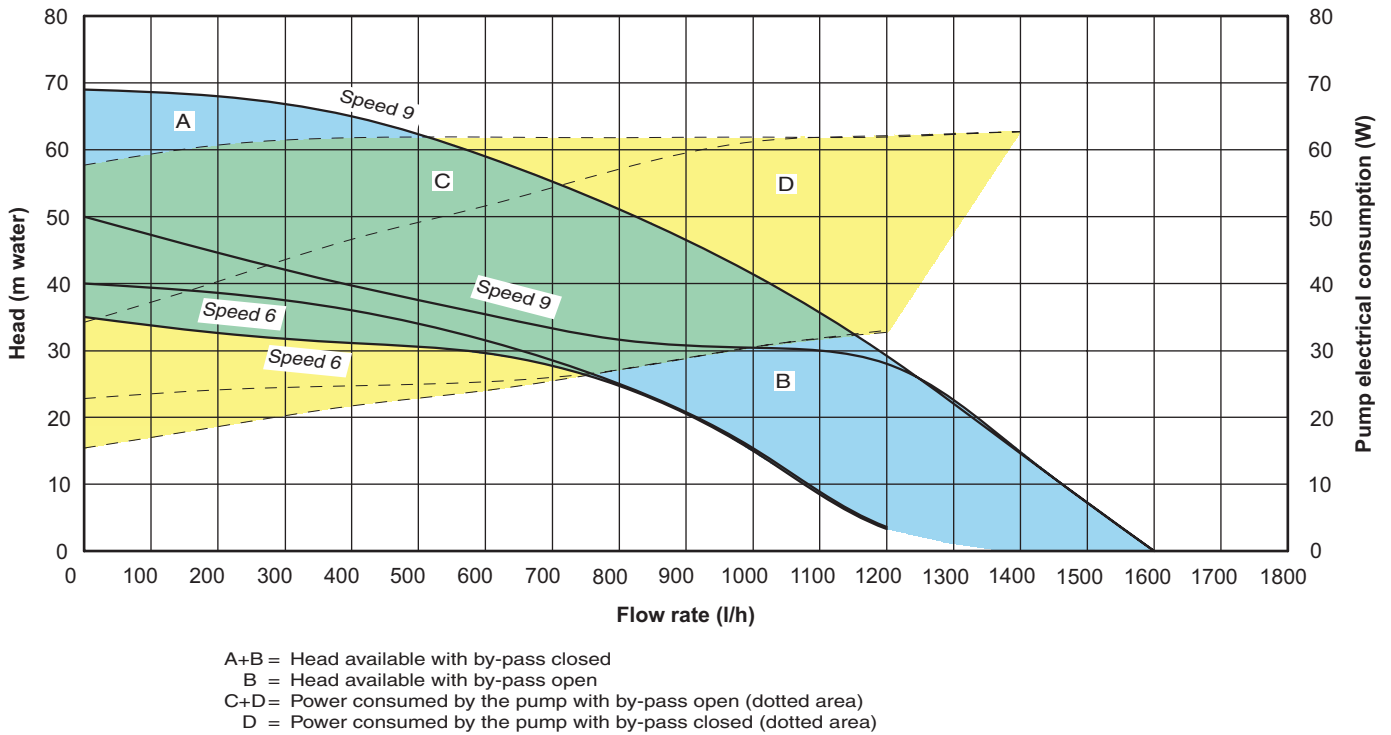


Fig. 3.2

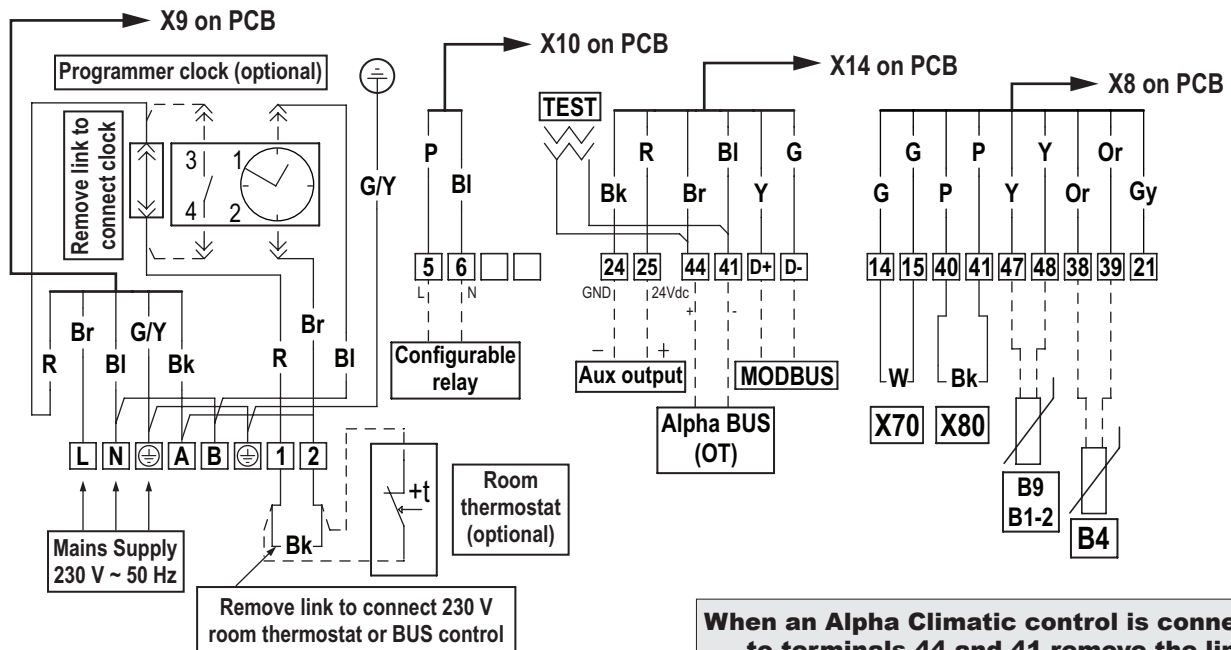
3.6 ELECTRICAL CONNECTIONS



Note: This Appliance Must Be Earthed

Optional integral single channel controls are available if required.

Note: Only use the Alpha single channel controls. **Do not fit any two channel controls.**



When an Alpha Climatic control is connected to terminals 44 and 41 remove the link between terminals 1 and 2

- B4 External sensor (optional)
- B9 DHW inlet sensor (optional) set P.15 = 1
- B1-2... System flow sensor (optional) set P.15 = 2
- X70 Safety thermostat low temperature link (configurable)
- X80 Configurable input 1 link

Colour code

- Bl Blue
- Bk Black
- Br Brown
- Gy Grey
- G/Y Green/Yellow
- Or Orange
- P Purple
- R Red
- W White
- Y Yellow

Fig. 3.3

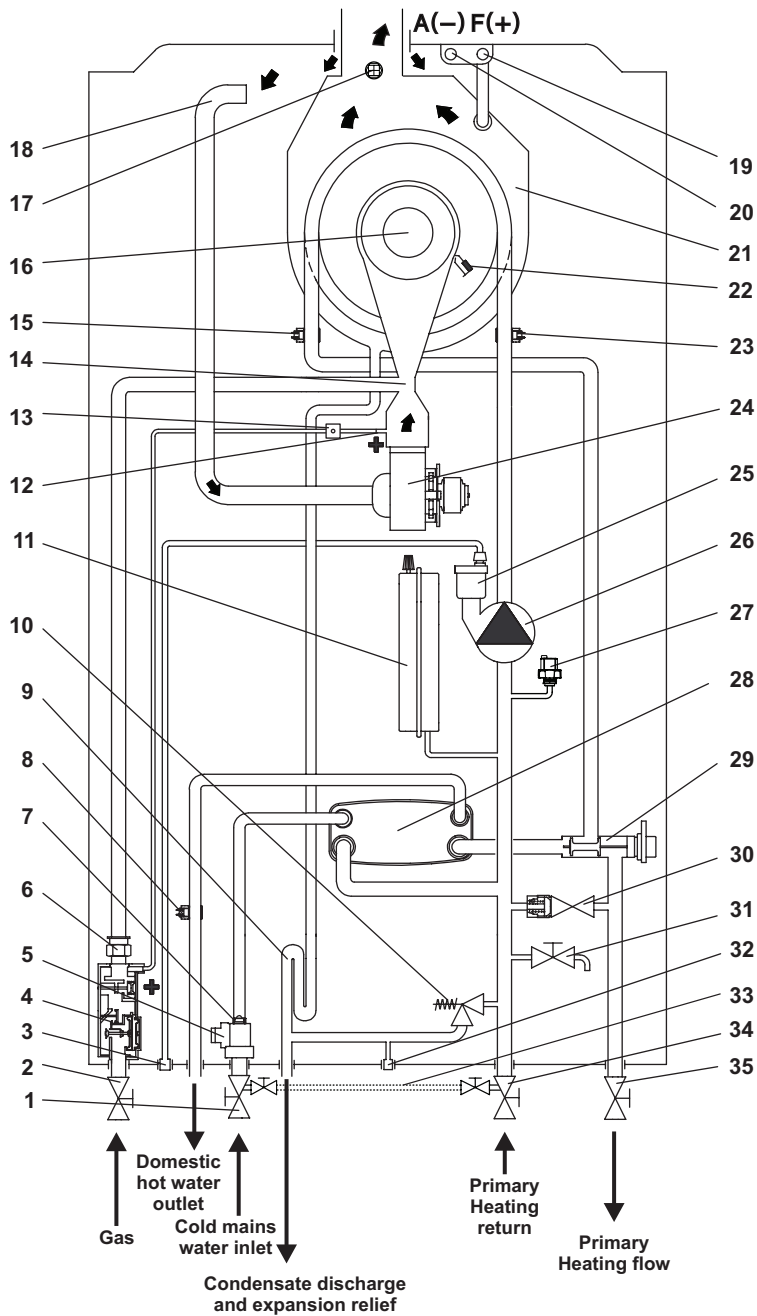
3.7 DATA BADGE ANNOTATION

NOTE: Technical data is provided on the boiler data label and in Section 3.1. See Section 5.5 for position of Data label.

| | | | |
|--------------------------------------|--------------------------------------|---------------------|---------------------|
| Md | | Cod. Md | |
| Sr N° | | Cod. PIN | |
| Type | | | |
| Q _{nw} /Q _n min. | Q _{nw} /Q _n max. | P _n min. | P _n max. |
| PMS | PMW | D | TM |
| NO _x Class | | | |
| | | | CONDENSING |

- Md.....Model
- Cod. MdModel code
- Sr N°Serial number
- CHK.....Check
- Cod. PINPIN code
- Type.....Type of installation (ref. CEN TR 1749)
- Q_{nw} min.DHW minimum heat input
- Q_n min.CH minimum heat input
- Q_{nw} max.DHW maximum heat input
- Q_n max.CH maximum heat input
- P_n min.Minimum heat output
- P_n max.....Maximum heat output
- PMS.....Maximum system pressure
- PMW.....Maximum DHW pressure
- D.....Specific flow rate
- TMMaximum operating temperature
- NO_x Class.....NO_x Class
- CONDENSINGCondensing boiler

3.8 BOILER SCHEMATIC



- | | | |
|--|---------------------------------------|---|
| 1 Cold mains isolation valve with integrated filling valve | 13 Pressure signal vent fitting | 25 Automatic air vent |
| 2 Gas isolation valve | 14 Venturi | 26 Boiler pump |
| 3 Air vent drain valve (do not block) | 15 Primary flow temperature sensor | 27 Primary pressure sensor |
| 4 Gas valve | 16 Burner | 28 DHW heat exchanger |
| 5 DHW flow switch | 17 Flue temperature sensor | 29 Diverter valve |
| 6 Gas injector | 18 Air supply pipe | 30 By-pass |
| 7 Flow regulator | 19 Flue test point (pressure point +) | 31 Drain point |
| 8 DHW temperature sensor | 20 Air test point (pressure point -) | 32 Safety valve indicator |
| 9 Condensate trap | 21 Primary heat exchanger | 33 Filling loop |
| 10 3 bar safety valve | 22 Ignition/sensing electrode | 34 Heating return isolation valve with integrated filling valve |
| 11 Expansion vessel | 23 Primary return sensor | 35 Heating flow isolation valve |
| 12 Venturi positive pressure point (+) | 24 Fan | |

Fig. 3.4

4 GENERAL BOILER INFORMATION

4.1 GAS SUPPLY



The meter and supply pipes must be capable of delivering the required quantity of gas in addition to the demand from any other appliances connected to the same gas supply.

Refer to Technical performance data in Section 3.1 and 3.2.

The complete installation, including the meter, must be tested for gas tightness and purged as described in BS 6891.

4.2 AIR SUPPLY



The boiler does not require any air vents for cooling in the room in which it is installed or when installed in a cupboard or compartment. The minimum clearances for servicing must always be maintained.

Note: A cupboard or compartment used to enclose the boiler must be designed and constructed specifically for the purpose, i.e. comply with the Building Regulations.

4.3 FLUE SYSTEM - Figs. 4.1, 4.2



The flue system must be installed in accordance with BS 5440:1.

With configuration C6:

- In case of windy conditions the permitted recirculation level must be lower than 10%.
- Installation on opposite walls of the building is not allowed.
- The maximum permitted pressure loss of the flue system is 160 Pa for E-Tec 28NX and 210 Pa for E-Tec 33NX .
- The flue system must be suitable to work up 120°C.

Configuration C4 is allowed with natural draught flue chimney only.

With configuration C9, the dimensions of the shaft must ensure a minimum gap between the outer wall of the flue duct and the inner wall of the shaft: 30 mm for circular section shaft or 20 mm for square section shaft.

When using a horizontal flue kit ensure that the flue outer duct is installed horizontally (please note that the flue inner duct already has a pre-determined slope towards the boiler for condensate to run back towards the boiler).

When additional flue extensions are used, ensure the flue slopes downwards towards the boiler by a minimum of 30 mm per metre of flue. For extended flue runs a fall of 50 mm per metre is recommended.

Horizontal and vertical flue assemblies should be supported every metre with access provided to the joints.

All joints between flue sections should be connected using the clamps provided. It is not required to add additional screws through the clamps and into the flue sections.

Additional flue components are available as follows:-

CD EasyFlue 500 mm telescopic terminal - Part No. 6.12000510.

CD EasyFlue 1000 mm telescopic terminal - Part No. 6.12001010.

CD 750 mm flue extension - Part No. 6.2000750.

CD 1000 mm flue extension - Part No. 6.2001050.

CD 100 mm flue support brackets (pack of 5) - Part No. 6.1000355.

CD 90° bend - Part No. 6.2000590.

CD 45° bend - Part No. 6.2000545.

CD Vertical flue terminal kit - Part No. 6.2000520. Refer to the separate installation instructions supplied with the kit.

Flue support brackets - Part No. 6.1000355.

Terminal guard - Part No. 6.2000570.

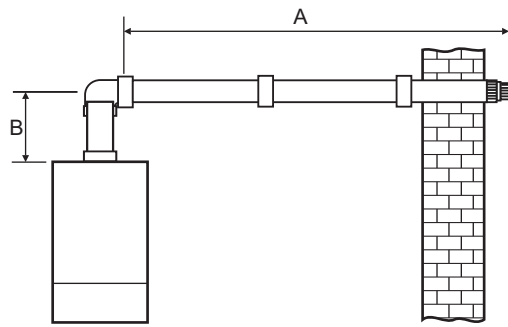
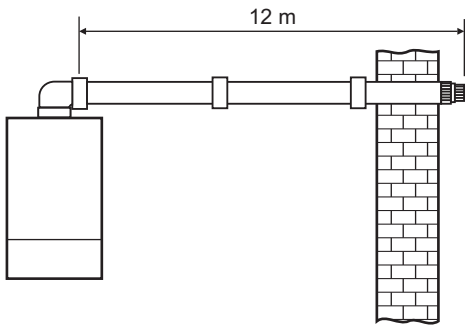
Additional flue accessories and plume management are also available.

Note: 1. If an extra 90° bend is used, this reduces the maximum flue length by 1.3 m. Each 45° bend used reduces the maximum flue length by 0.9 m.

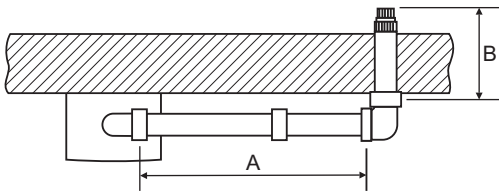
2. Under no circumstances must the flue length (including allowances for extra bends) exceed 12 metres horizontally and only 14 metres vertically.

3. Failure to use Alpha flue components with the boiler will invalidate the boilers CE approval, guarantee and may be unsafe.

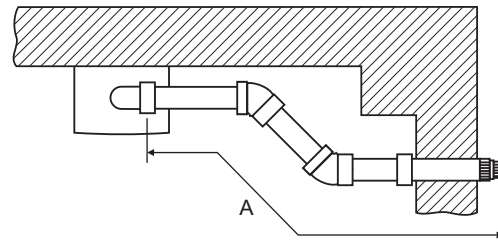
HORIZONTAL FLUE OPTIONS - Lmax - 12 metres



$L = A + B = 12\text{m max.}$



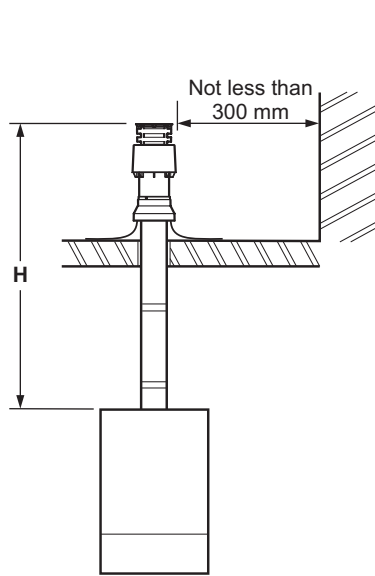
$L = A + B + (90^\circ \text{ bend} = 1.3 \text{ metre})$



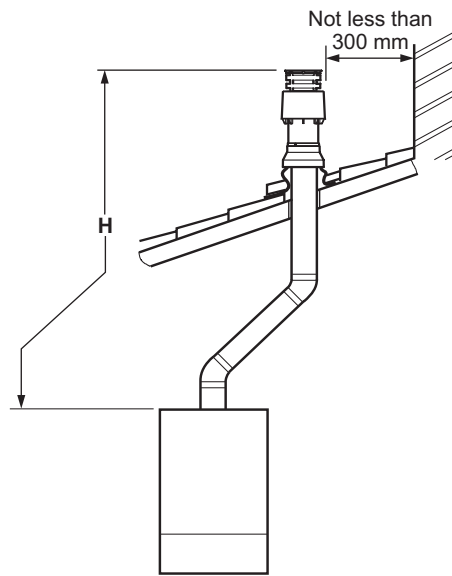
$L = A + (2 \times 45^\circ \text{ bends} = 1.8 \text{ metre})$

Fig. 4.1

VERTICAL FLUE OPTIONS



$H_{\text{max}} = 14 \text{ m}$



$H_{\text{max}} = 12.2 \text{ m (14 m - 1.8 m)}$

Fig. 4.2

4.4 FLUE TERMINAL LOCATION - Figs. 4.3 and 4.4

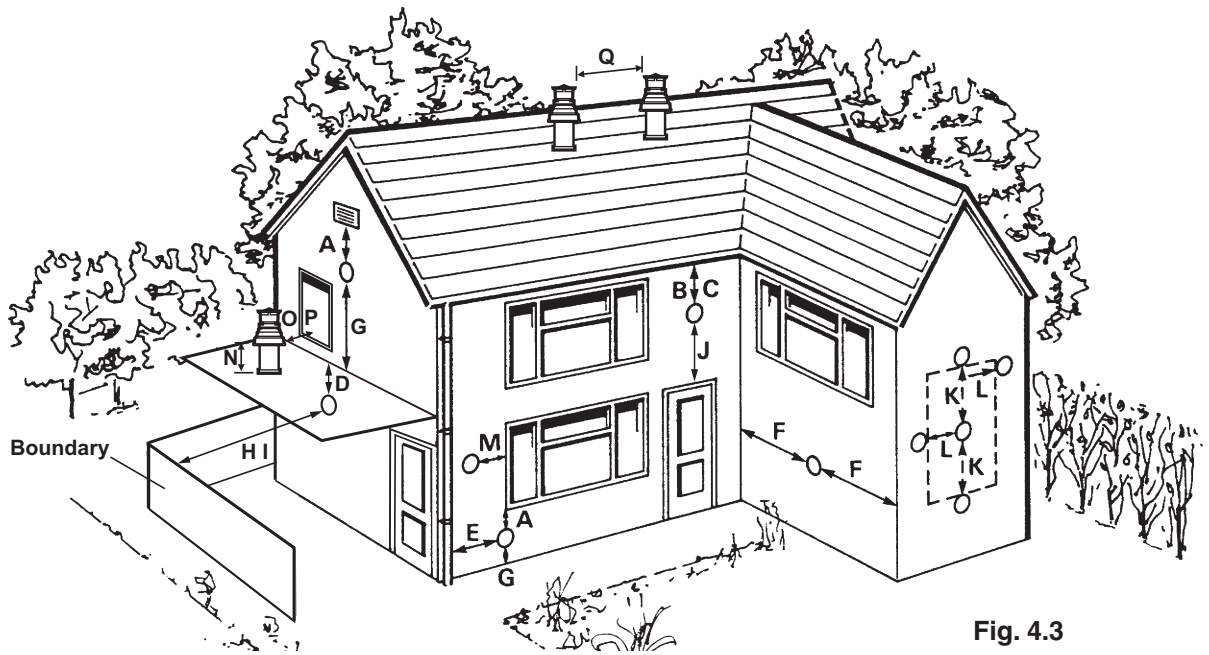


Fig. 4.3

| Terminal position | Min. distance (mm) |
|--|---------------------|
| A Directly below an opening, air brick, windows, etc. | 300 (See Note 1) |
| B Below gutters, soil pipes or drain pipes | 75 (See Note 3) |
| C Below eaves | 200 (See Note 3) |
| D Below balconies | 200 (See Note 3) |
| E From a vertical drain pipe or soil pipe | 150 (See Note 3) |
| F From an internal or external corner | 300 (See Note 2) |
| G Above ground, roof or balcony level | 300 (See Note 9) |
| H From a surface or boundary facing the terminal | 600 (See Note 4) |
| I From a terminal facing the terminal | 1200 mm |
| J Above an opening, air brick, window etc. | 300 (See Note 1) |
| K Vertically from a terminal on the same wall | 1500 mm |
| L Horizontally from a terminal on the same wall | 300 mm |
| M Horizontally from an opening, air brick, window etc. | 300 mm (See Note 1) |
| N Minimum protrusion through a roof | 300 mm |
| O From a vertical obstruction | 300 mm |
| P From an openable window | 600 mm |
| Q From an adjacent vertical terminal | 600 mm |



Notes:

- In addition, the terminal should not be nearer than 150 mm to the framework of an opening into the building, i.e. a window surround or door surround.
- This clearance may be reduced to 25 mm without effecting the performance of the boiler. However, to ensure the condensate plume does not affect adjacent surfaces a clearance of 300 mm is preferable.
- These clearances may be reduced to 25 mm without effecting the performance of the boiler. However, to ensure the condensate plume does not affect adjacent surfaces the terminal can be extended beyond gutters, pipes, eaves, balconies etc. by upto 500 mm. If the flue is extended more than 500 mm outside, it should be boxed and insulated.
- To reduce the possibility of nuisance to neighbouring buildings etc. it is recommended the terminal should not be less than 2500 mm from car parking spaces, building boundary walls, fences etc.
- A terminal must not be sited under a car port roof.
- In certain weather conditions the terminal will emit a plume of steam. If possible avoid positioning the terminal where this may cause a nuisance, i.e. positions A, D, G, H, J or M.
- The flue terminal must be exposed to the external air and the position must allow the free passage of air across it at all times.
- The flue terminal must be positioned where products of combustion will freely disperse and not cause a nuisance.
- Where a terminal is sited below 2 m from the ground or floor level, the terminal must be protected by a terminal guard. In these situations, consideration should also be given to prevent nuisance plume and fumes in areas such as access routes, passageways, patios, balconies etc.

Proximity of flue duct outlets to boundaries

The flue duct shall be sited so that it is at least 600 mm (see Fig. 4.4) from the boundary line when facing it and at least 300 mm from the boundary line when running parallel to it.

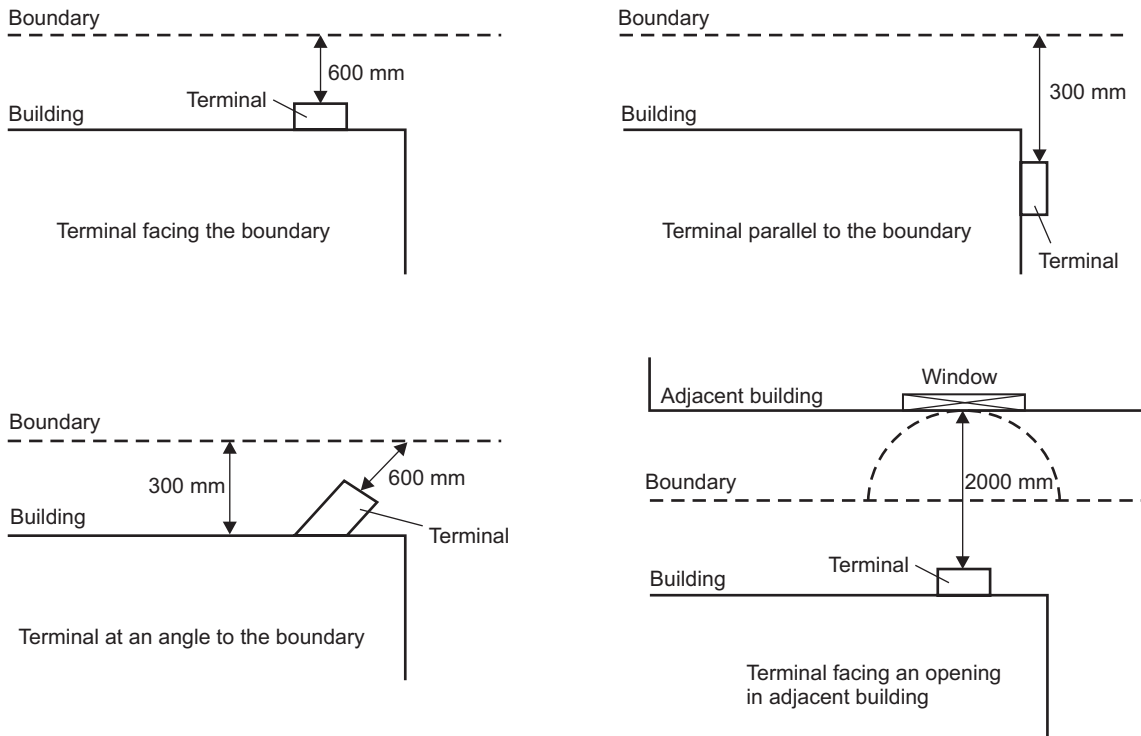


Fig. 4.4

4.5 BOILER LOCATION

The boiler is not suitable for external installation unless it is installed within a purpose designed weatherproof building.

The boiler must be installed on a flat vertical wall which is capable of supporting the weight of the boiler. The boiler cannot be fitted to or adjacent to a wall comprising of a combustible material without the use of a special thermal insulation barrier.

If the boiler is to be fitted in a timber framed building, it should be fitted in accordance with the Institute of Gas Engineers 'Guide for Gas Installations in Timber Frame Housing', reference IGE/UP/7.

The boiler may be installed in any room or internal space, although particular attention is drawn to the requirements of the current IEE Wiring (BS 7671) Regulations, and in Scotland, the electrical provisions of the Building Regulations applicable in Scotland, with respect to the installation of the boiler in a room or internal space containing a bath or shower. Where a room-sealed boiler is installed in a room containing a bath or shower, it must not be possible for a person using the bath or shower to touch any electrical switch or boiler control utilising mains electricity.

The boiler may be installed in a cupboard or compartment, provided it is correctly designed for that purpose, i.e. complies with the Building Regulations and the requirements of BS 6798.



4.6 CENTRAL HEATING SYSTEM - Fig. 4.5

The boiler is designed for use in a sealed central heating system in accordance with the requirements of BS EN 12828 and BS 6798. The system should be designed to operate with flow temperatures of up to 90°C. When designing the system, the pump head, expansion vessel size, mean radiator temperature, etc. must all be taken into account. Refer to the pump performance table for guidelines.

System volume - The expansion vessel incorporated into the boiler is suitable for a sealed heating system with a maximum water content of 80 litres (18 gal). Above 80 litres, consideration should be given to fitting an additional expansion vessel fitted in the position shown in Fig. 4.5. To check correct operation of the expansion vessel(s) the system pressure should not be more than 2.5 bar when the system is at maximum operating temperature (for further guidance refer to BS 7074:1).

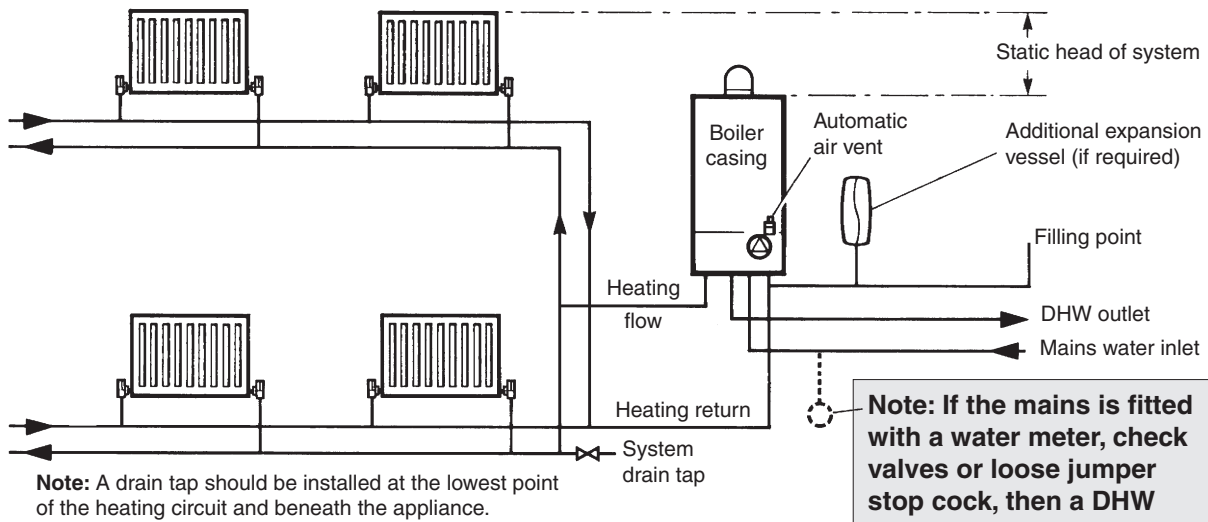


The boiler is supplied with the following components built in:-

Pressure gauge - To indicate the system pressure to be maintained.

Expansion vessel - Conforming to EN 13831 with a capacity of 8 litres and pre-charged with air to a pressure of 1.0 bar.

By-pass - The boiler incorporates an automatic by-pass, therefore an automatic by-pass is not required for the system unless separate zone valves have been installed.



Note: If the mains is fitted with a water meter, check valves or loose jumper stop cock, then a DHW expansion device must be fitted.



Fig. 4.5

4.7 FILLING THE CENTRAL HEATING SYSTEM - Fig. 4.6

The system design pressure (cold) should be set to 1.0 bar. This pressure is equivalent to a static head (see Fig. 4.5) of 10.2 metres of water.

The E-Tec Plus NX models have an integrated filling loop provided with the boiler connection group.

Fill the system using the two small black control valves opening one first and using the second to control the flow into the system.

When the system is filled and vented to the correct pressure close both control valve taps. The temporary connection can then be undone and slid back to disconnect the loop.

Drain valves (to BS 2879) must be fitted in the heating system to allow the system to be fully drained.

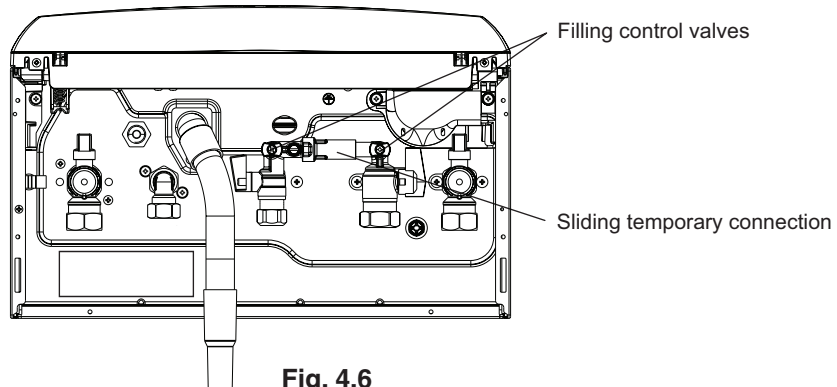


Fig. 4.6

4.8 FLUSHING THE HEATING SYSTEM

It is essential that the central heating system is thoroughly cleaned and flushed before fitting an Alpha E-Tec Plus NX boiler. Failure to do so will invalidate the warranty. The primary condensing heat exchanger is constructed in stainless steel and therefore is compatible with most materials used in a heating system.

Where possible, the heating system should be cleaned before installing the boiler. A proprietary cleaner should be used following the product manufacturers' instructions. After installation the system should then be filled and flushed before final filling. A corrosion inhibitor approved by Alpha must be added to ensure that the heating system operates effectively and efficiently, it is important to maintain the correct level of corrosion inhibition at all times.

The corrosion inhibitor should be checked annually at the time of the boiler service, and topped up if necessary. A further dose of corrosion inhibitor should be added to the system every five years.

It is important to ensure that the correct level of inhibitor has been added, and that any cleaner residues have been adequately removed to maintain the operation of the boiler and heating system. Failure to correctly clean and treat the system will invalidate the boiler warranty.

If it is not possible to clean the system before fitting the new boiler, the system should be cleaned using a proprietary cleaner and a magnetic filter connected in the return before the boiler as this is the most effective method of ensuring that any magnetite and rust particles are prevented from entering and damaging the boiler.

Once the system condition has been restored, an effective magnetic filter and strainer should be fitted permanently to the system as a method of collecting any magnetite and rust from the system during operation.



4.9 DISPOSAL OF CONDENSATE

Provision must be made for the safe disposal of condensate produced by the flue gases of the Alpha boilers and reference should be made to BS 6798 for the requirements on the disposal of condensate.



The boilers incorporate a condensate trap which has a seal of greater than 75 mm, therefore no additional trap is required.

The condensate should ideally be discharged internally into an internal waste pipe (washing machine/sink waste) or soil pipe to avoid the possible risk of freezing. The pipework must be in 22 mm pipe (minimum).

External pipe runs should be avoided, but if it is necessary, the pipework should be protected from the risk of freezing with waterproof insulation and the length should be kept to a maximum of 3 m and the condensate pipework should be increased to a minimum of 32 mm diameter. Termination should be into an external gully or soakaway as shown in Figs. 4.7 and 4.8.

Note: All pipework must have a continuous fall (see Figs. 4.7 and 4.8) from the boiler and must be of an acid resistant material such as plastic waste pipe. (copper or steel is not suitable).

The condensate pipe is combined with the expansion relief discharge. The flexible condensate hose supplied meets the requirements for use with both condensate and expansion relief. This should be connected to a suitable waste pipe and fittings with approval for hot and cold water, i.e. BS EN1451-1PP Waste piping, BS EN1455-1 ABS piping or BS EN 1566-1 MUPVC piping.

The condensate and discharge should be connected to a drain for sewage and foul waste or a dedicated soak away with neutraliser added.

It should be noted that the connection of a condensate pipe to a drain may be subject to local building control requirements.

If the condensate is connected to a gutter or drain down pipe where there is a risk of water blocking and rising back towards the boiler, a suitable air gap / tundish must be fitted to the condensate pipe.

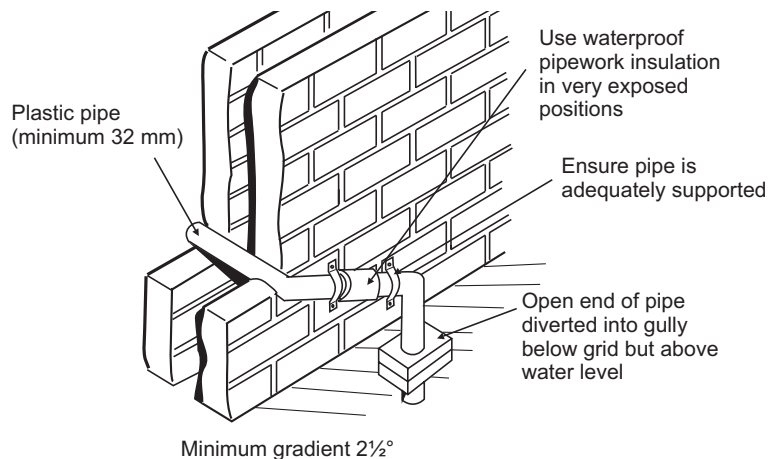


Fig. 4.7 - External gully

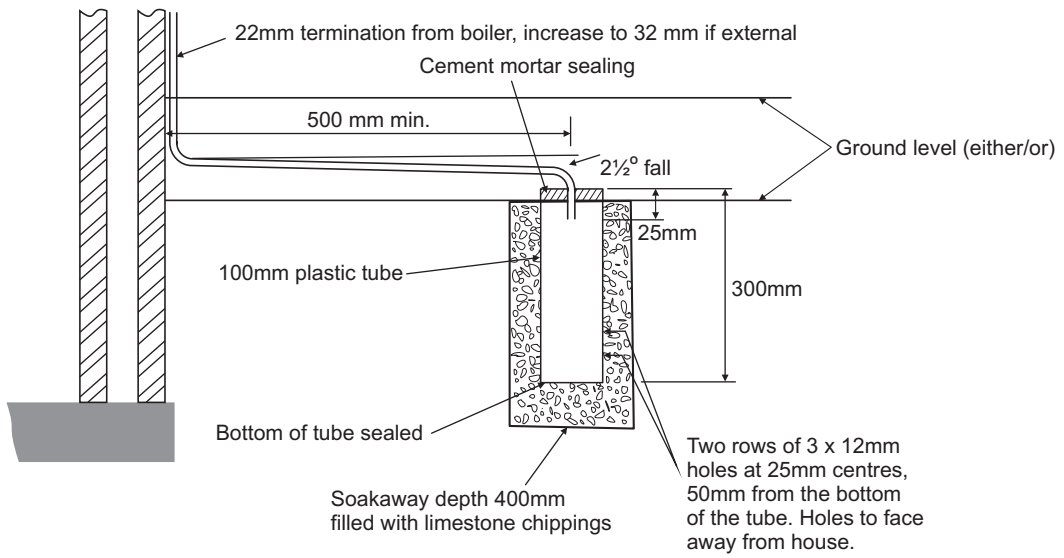


Fig. 4.8 - External soakaway

5 INSTALLATION

5.1 UNPACKING

- The boiler carton also contains the following:-
 - Flue turret, seals and screws (loose)
 - Connection kit (washers, valves and filling loop)
 - Mounting bracket plus screws and wall plugs
 - Condensate discharge pipe
 - Literature pack and Wall template

A suitable Alpha flue system must be selected to use with the boiler.

- Notes:**
- All flues must be suitable for Alpha condensing boilers.
 - CD 750 mm and 1000 mm flue extensions are available, if required.

Damaged products must not be used.

- Unpack boiler and remove the loose items, packs and mounting bracket.

Note: The boiler can be stood in an upright position (only while the valves and union bends are not fitted).



It is recommended that two persons lift the boiler.

5.2 CLEARANCES REQUIRED - Fig. 5.1

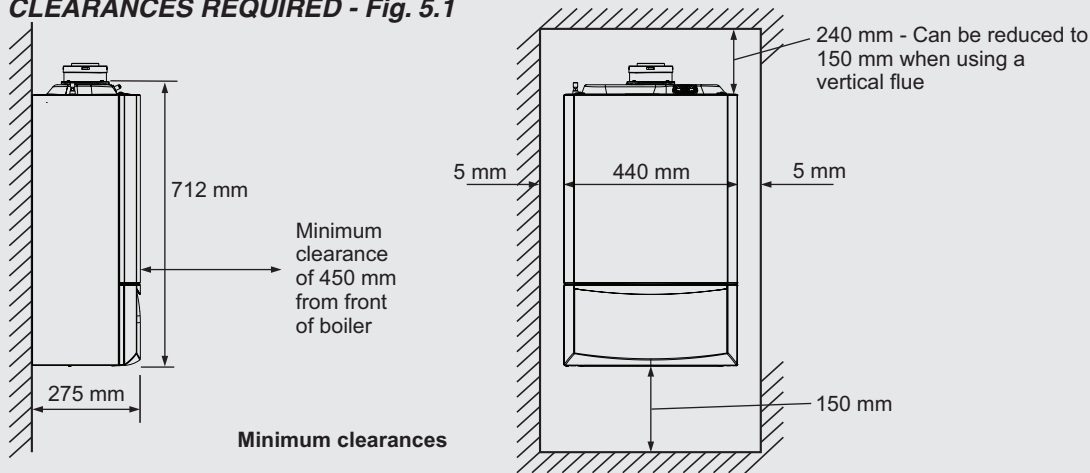


Fig. 5.1

5.3 PREPARE THE WALL - Fig. 5.2

- Decide upon the position of the boiler taking into account the clearances required for servicing and the flue terminal position.
- Tape the template to the wall (ensure it is level and the right way up) and mark the position of the holes for the boiler mounting bracket. If rear exit flue is used, mark the position of the hole for the flue.
- Side exit flue** - Continue the horizontal centre line of the flue across the wall to the side wall, then along the side wall 135 mm (ensure the lines are horizontal). This will give the position of the centre of the hole for the flue.
- Cut the 110 mm diameter hole (or use a 107 mm core drill) in the wall for the flue.

- Notes:**
- Ensure the hole is horizontal.
 - For internal fitting of the flue, using the flue sealing collar supplied, cut a 130 mm dia. flue hole using a 127 mm core drill.

- Drill the fixing holes (10 mm dia.) to accept the No.10 plugs supplied. Using the screws supplied, fit the mounting bracket.

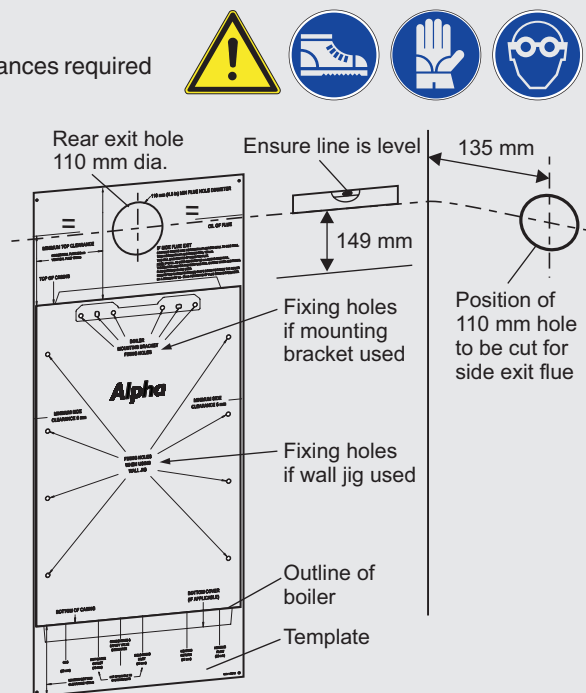


Fig. 5.2

5.4 FIT THE BOILER - Refer to Figs. 5.2 and 5.3

Lift the boiler and locate it on the mounting bracket - the boiler should be lifted by **two** persons.

Note: When handling or lifting always use safe techniques - keep your back straight, bend your knees, don't twist - move your feet, avoid bending forwards and sideways and keep the load as close to your body as possible.

Where possible transport the boiler using a sack truck or other suitable trolley.

Always grip the boiler firmly, and before lifting feel where the weight is concentrated to establish the centre of gravity, repositioning yourself as necessary.

Appropriate personal protective equipment should be worn.

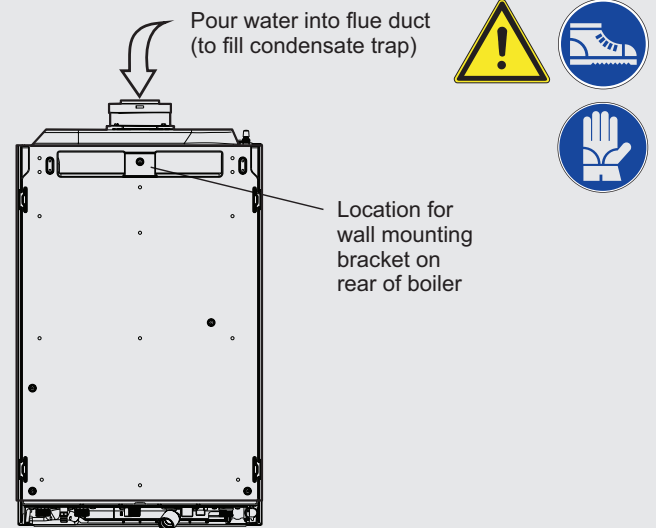


Fig. 5.3 - rear of boiler

5.5 CONNECT THE PIPEWORK - Fig. 5.4

1. Thoroughly flush out all the water pipework. Refer to Section 3.9.
2. Fit the valves to the boiler connections as shown in Fig. 5.4 - note the colours of the operating levers.
3. Connect the system pipework to the union fittings on the valves just fitted.

Note: When soldering bends, ensure they are not connected to the valves, otherwise the internal seals may be damaged.

One metre of copper pipe must be fitted to the boiler before connecting to any plastic pipework conforming to BS 7291.

4. Connect the flexible condensate pipe to the rubber connector as shown in Fig. 5.4. Using the adaptor supplied, connect the flexible pipe to the condensate drain. Ensure that the condensate discharge pipe is as required in Section 4.9.
5. Ensure that all the valves are closed (operating lever at right angle to valve) and do not turn on the water or gas supplies at this stage.

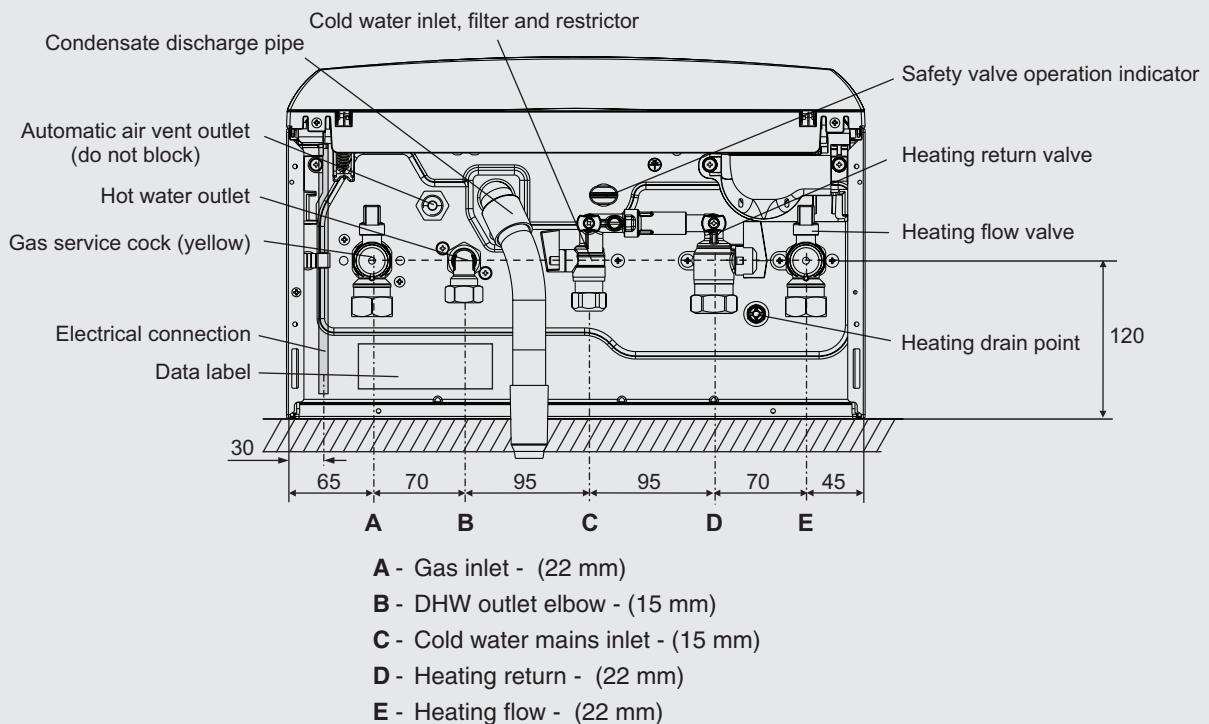


Fig. 5.4

5.6 FIT THE FLUE TURRET - Figs. 5.5 and 5.6

1. Remove flue turret, flat concentric gasket and four screws from the accessory pack.
2. Place the flat concentric gasket onto the boiler, ensuring the protruding 60mm rib is facing downwards and located correctly. See Figs. 5.5 and 5.6.
3. Fit the turret on top of the flat concentric gasket and secure with the four screws provided.
4. Check the 60mm and 100mm double lip seal gaskets are fitted with the lips facing downwards. See Fig. 5.6.

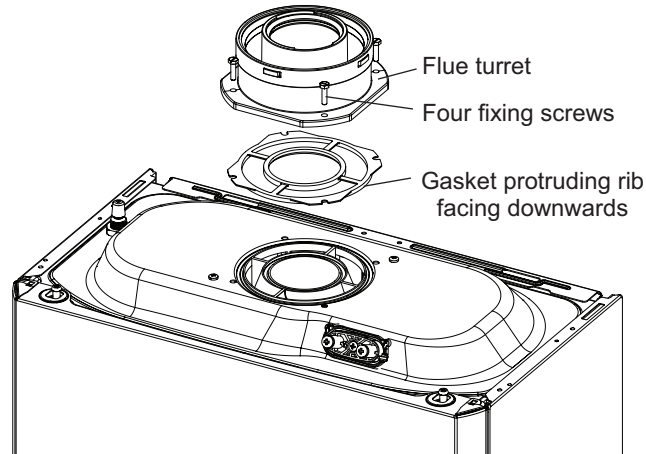


Fig. 5.5

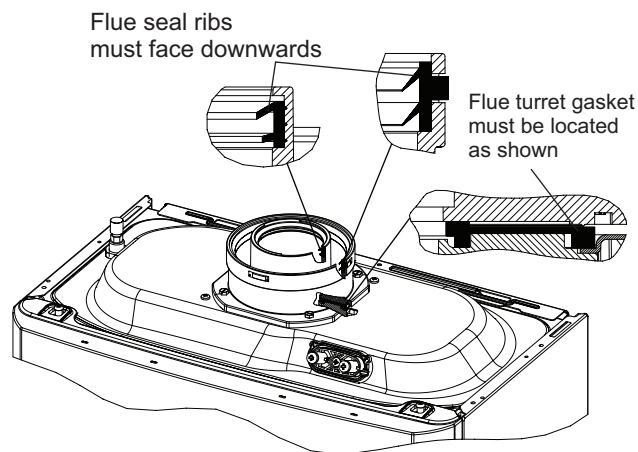


Fig. 5.6

5.7 FIT THE FLUE - PUSH FIT EASY-FLUE

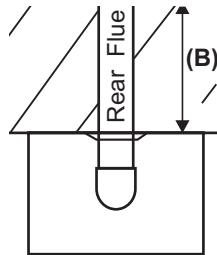
The following procedure applies to fitting an Alpha Easy-Flue (push fit) to both rear or side exit flue - horizontally only.



- The Easy-Flues are suitable for use in the flue length ranges shown in the tables below.

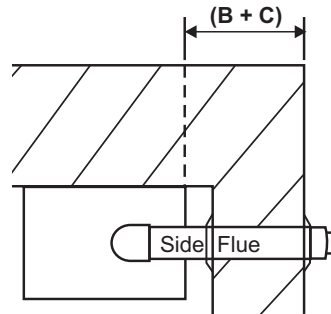
Note: Where the length is less than the minimum or more than the maximum, refer to Section 5.8 or 5.9.

Fig. 5.7



| E-Tec Plus NX models | B (mm) | |
|----------------------|--------|-----|
| | Max | Min |
| Easy Flue | | |
| 500 mm | 501 | 291 |
| 1000 mm | 946 | 736 |
| * 500 mm | 456 | 246 |
| * 1000 mm | 901 | 691 |
| * With Premier pack | | |

Fig. 5.8



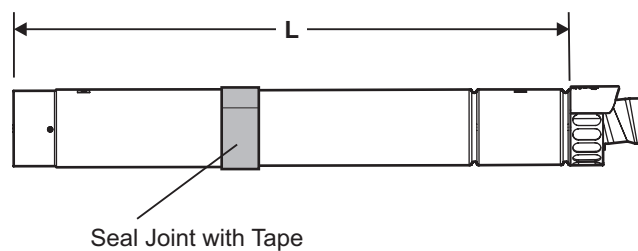
| E-Tec Plus NX models | B + C (mm) | |
|----------------------|------------|-----|
| | Max | Min |
| Easy Flue | | |
| 500 mm | 416 | 206 |
| 1000 mm | 861 | 651 |

- Determine the overall length (L) of flue required, (see Fig. 5.9) as follows:-

Rear flue $L = \text{wall thickness (B)} + 71 \text{ mm (116 mm if the wall jig is used)}$

Side flue $L = \text{wall thickness (B)} + \text{distance between boiler and wall (C)} + 156 \text{ mm}$

Fig. 5.9



- Adjust the telescopic section of the flue to the distance 'L', ensuring that the two labels marked 'TOP' are aligned, then seal and secure the joint between the ducts with the sealing tape supplied.

Note: Always ensure that there is a minimum overlap of 20 mm when fully extending the telescopic section.

- Pass the flue assembly through the wall (from inside or outside).

Note: Internal fitting - If there is no access to make good the outside wall, locate the outside (black) flue sealing collar onto the outer duct of the flue immediately before the terminal grille onto the location provided. Push the flue assembly through the 130 mm flue hole, so that the collar completely passes through the wall. Then pull the flue assembly back into the correct position. Visually check that the collar is sealing the outside wall and that it is not restricting any of the openings of the flue terminal.

Note: Only use the lubricant supplied on the flue joints or seals.

Where a flue terminates less than 150 mm below a gutter, eaves or other obstructions it is possible to extend the flue to allow the flue termination to clear the obstruction, providing the flue is not extended beyond the first joint. For situations below balconies or large eaves where extensions may be required, the flue must be supported using the correct brackets. Alternatively plume management components can be used with supports where necessary.

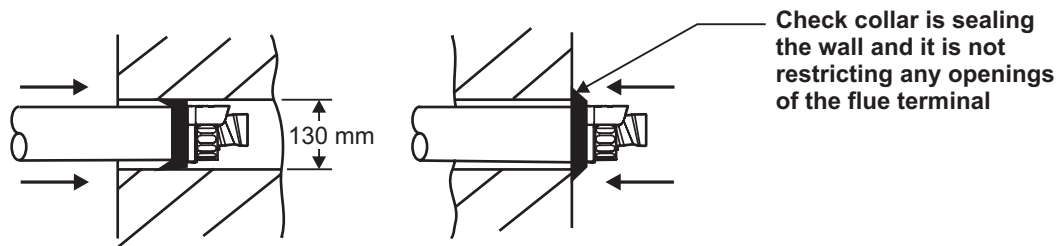


Fig. 5.10 - Fitting the flue from inside

5. Fit the inside (white) flue sealing collar over the Easy-Flue. If it was not previously fitted, fit the outside (black) flue sealing collar onto the flue immediately before the terminal grille onto the location provided.
6. Place the flat concentric gasket (supplied with the boiler) onto the boiler, ensuring the protruding 60mm rib is facing downwards and located correctly.
7. Fit the bend to the flue turret supplied with boiler. Push the bend onto the Easy-Flue, fully engaging both inner and outer duct.
8. Check the flat concentric gasket is still in the correct position and fix the flue turret to the boiler with the 4 screws (supplied with the boiler). Refer to Section 5.6.

Note: Check the flue terminal protrudes 120 mm out of the wall and the inner duct of the terminal is positioned correctly (see Fig. 5.11).

9. Make good the inside wall by pushing the inside flue sealing collar up to the wall.

Refer to the boiler manual for more details about flue turret and flat concentric gasket installation.

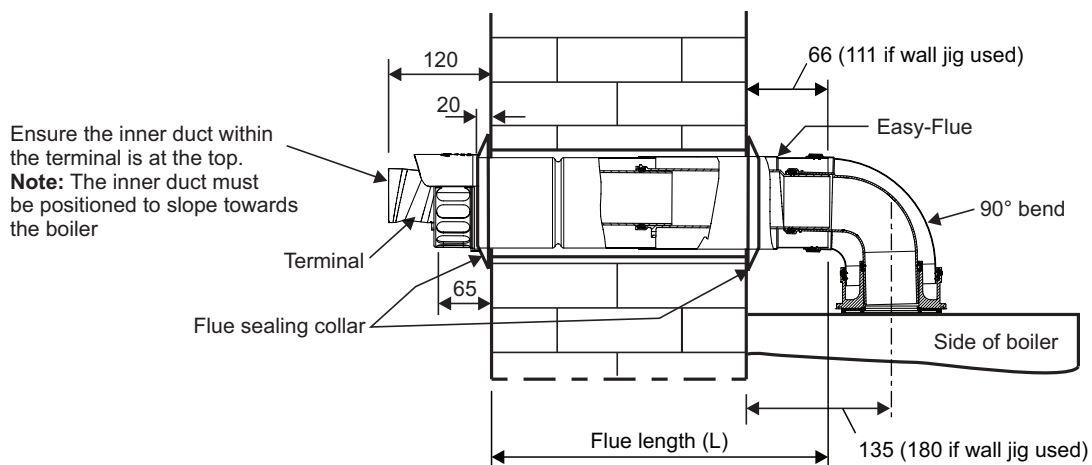


Fig. 5.11 - Push fit rear flue

5.8 REDUCING THE FLUE - Fig. 5.12

When the flue length required is less than the minimum stated in Section 5.7, paragraph 1, refer to Fig. 5.12.

Discard the first telescopic section (**not** the section with the terminal) of the Easy-Flue 1000 mm or 500 mm and cut to the required length.

Note: Ensure that all cuts are square and free from burrs.

Once assembled with the components pushed home, the flue is fully sealed.

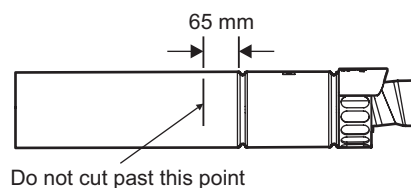


Fig. 5.12

5.9 EXTENDING THE FLUE - Fig. 5.13

Note: - The flue assembly length must not exceed the maximum length stated, including the equivalent lengths of any extensions, bends etc. used for plume management components. **E-Tec boilers must not exceed the maximum of an equivalent horizontal flue length of 12 m.**



- When the flue length required is more than the maximum stated in Section 5.7, the Alpha 750 mm flue extension (Part No. 3.031807), 1000 mm extension (Part No. 3.031808) or 2000 mm extension (Part No. 3.031814) are required to extend the range of telescopic flue. Refer to Section 5.9 for instructions on how to extend the flue.

Note: A 130 mm flue hole (127 mm core drill) may be required in the wall. This is when the extended flue is passed through the wall.

Each extension used must be supported with the bracket supplied with the extension. If necessary the bracket M8 threaded stud can be replaced with a longer one (not supplied).

Additional support brackets are available if required. (Part No. 3.034521).

- Use the template (supplied with the boiler) to mark the required flue position, ensuring there is the correct slope towards the boiler.
- Determine the overall flue length to calculate the number of Alpha flue extensions required.
- When assembling the flue components, lubricate the seals with the lubricant provided before connecting the parts together. Ensure both the inner and outer ducts are fully engaged.

Note: If it is required to cut an extension, **DO NOT** cut the end of the inner duct that incorporates the seal joint. Ensure the inner and outer ducts are cut flush. Ensure that all cuts are square and free from burrs.

Once assembled with the components pushed home, the flue is fully sealed.

- Adjust the telescopic section of the Easy-Flue to the required length and secure the Easy-Flue with the sealing tape supplied. Fit the Easy-Flue to the extensions, ensuring both the inner and outer ducts are fully engaged.
 - Mark the end of the flue assembly 'TOP' where it is connected to the boiler, so that the 'TOP' of the flue terminal is aligned with the 'TOP' at the boiler end of the flue assembly.
 - Pass the complete flue assembly through the wall.
 - Fit the inside (white) flue sealing collar over the Easy-Flue. If it was not previously fitted, fit the outside (black) flue sealing collar onto the flue immediately before the terminal grille onto the location provided.
 - Place the flat concentric gasket (supplied with the boiler) onto the boiler, ensuring the protruding 60mm rib is facing downwards and located correctly.
 - Fit the bend to the flue turret supplied with boiler onto the Easy-Flue, fully engaging both inner and outer duct.
 - Check the flat concentric gasket is still in the correct position and fix the flue turret to the boiler with the 4 screws (supplied with the boiler).
- Refer to Section 5.6, Fit the flue turret.
- Using a Flue Gas Analyser (FGA), carry out a flue integrity test. If readings are unacceptable, remove flue and check all joints before carefully re-assembling and repeating the test

Note: Check the flue terminal protrudes 120 mm out of the wall and the inner duct of the terminal is positioned correctly (see Fig. 5.13).

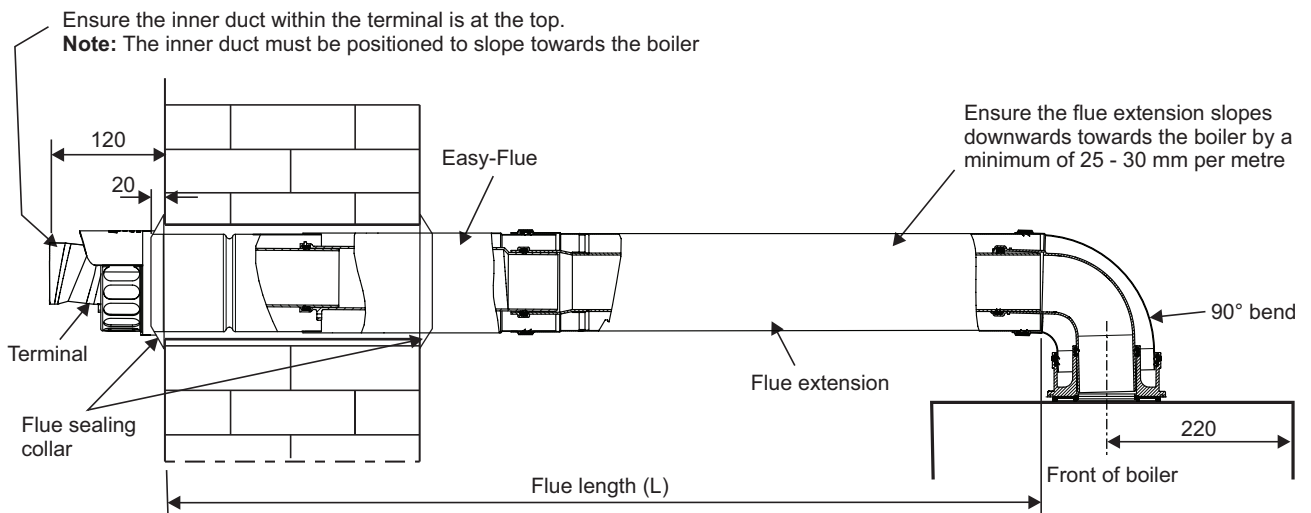


Fig. 5.13 - Push fit side flue

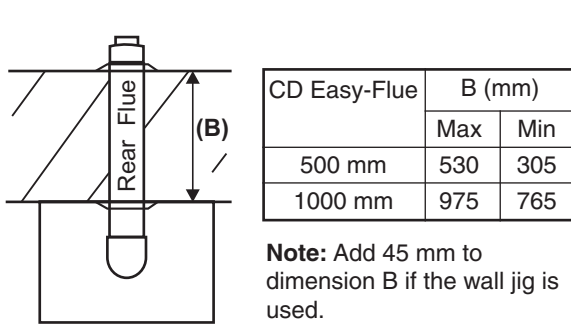
5.7b FIT THE FLUE - CLAMPED FLUE

The following procedure applies to fitting an Alpha CD Easy-Flue to both rear or side exit flue - horizontally only.



- The CD Easy-Flues are suitable for use in the flue length ranges shown in the tables below.

Note: Where the length is less than the minimum or more than the maximum, refer to Section 5.8.



Note: Add 45 mm to dimension B if the wall jig is used.

Fig. 5.7b

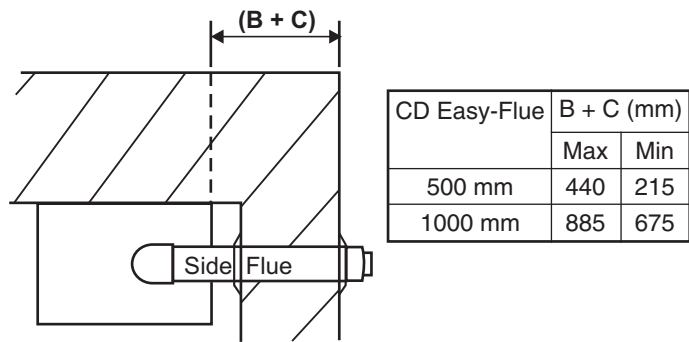


Fig. 5.8b

- Determine the overall length (L) of flue required, (see Fig. 5.9) as follows:-

Rear flue L = wall thickness (B) + 60 mm (105 mm if the wall jig is used)

Side flue L = wall thickness (B) + distance between boiler and wall (C) + 145 mm

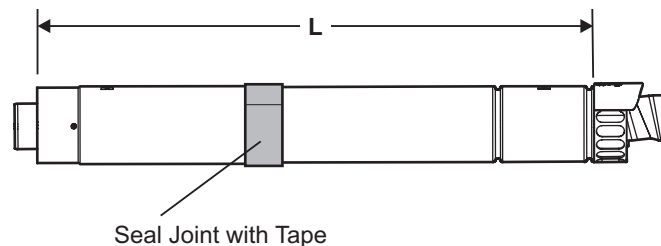


Fig. 5.9b

- Adjust the telescopic section of the flue to the distance 'L', ensuring that the two labels marked 'TOP' are aligned, then seal and secure the joint between the ducts with the sealing tape supplied.

Note: Always ensure that there is a minimum overlap of 25 mm when fully extending the telescopic section.

- Pass the flue assembly through the wall (from inside or outside).

Note: Internal fitting - If there is no access to make good the outside wall, locate the outside (black) flue sealing collar onto the outer duct of the flue immediately before the terminal grille onto the location provided. Push the flue assembly through the 130 mm flue hole, so that the collar completely passes through the wall. Then pull the flue assembly back into the correct position. Visually check that the collar is sealing the outside wall and that it is not restricting any of the openings of the flue terminal.

Note: Silicone grease or other lubricants must not be used on the flue joints or seals.

Where a flue terminates less than 150 mm below a gutter, eaves or other obstructions it is possible to extend the flue to allow the flue termination to clear the obstruction, providing the flue is not extended beyond the first joint. For situations below balconies or large eaves where extensions may be required, the flue must be supported using the correct brackets. Alternatively plume management components can be used with supports where necessary.

All joints between flue sections should be connected using the clamps provided. It is not required to add additional screws through the clamps and into the flue sections.

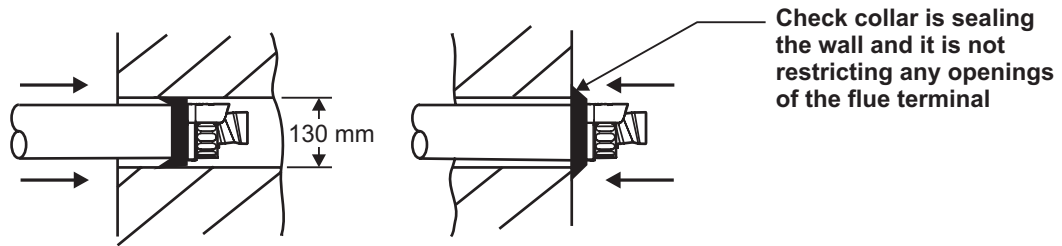


Fig. 5.10b - Fitting the flue from inside

5. Fit the bend to the boiler and rotate to the correct position.
6. Fit the inside (white) flue sealing collar over the Easy-Flue. If it was not previously fitted, fit the outside (black) flue sealing collar onto the flue immediately before the terminal grille onto the location provided.
7. Slide the larger Easy-Flue 45 mm clamp over the outer duct and pull the flue assembly towards the bend, locating the inner duct into the seal joint on the bend. Ensure the labels marked 'TOP' are positioned at the top before securing the flue assembly to the bend with the clamp (two screws) located centrally over the joint.
Note: Check the flue terminal protrudes 120 mm out of the wall and the inner duct of the terminal is positioned correctly (see Fig. 5.11b).
8. Make good the inside wall by pushing the inside flue sealing collar up to the wall.
 The hole around the flue can be made good using the flue sealing collars supplied or using a suitable sealant/cement if required.

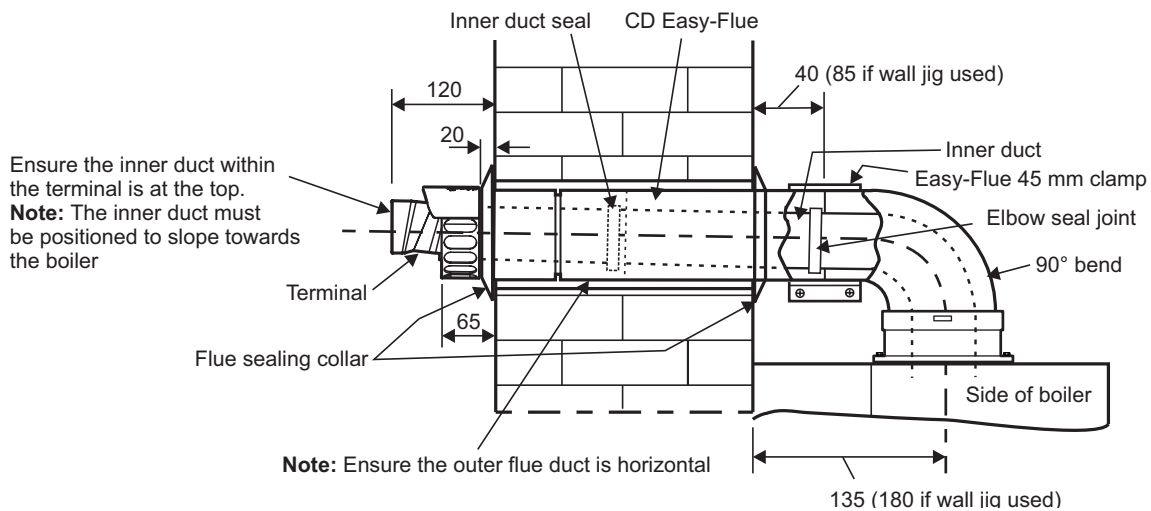


Fig. 5.11b - Clamped rear flue

5.8 REDUCING THE FLUE - Fig. 5.12b

When the flue length required is less than the minimum stated in Section 4.5, paragraph 1, refer to Fig. 5.12b.

Discard the first telescopic section (**not** the section with the terminal) of the Easy-Flue 1000 mm or 500 mm and cut to the required length.

Note: Ensure that all cuts are square and free from burrs.

Once assembled with the components pushed home, the flue is fully sealed.

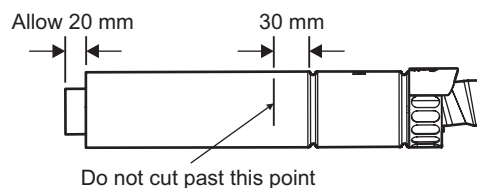


Fig. 5.12b

5.9b EXTENDING THE FLUE - Fig. 5.13b

Note: The flue assembly length must not exceed the maximum length stated, including the equivalent lengths of any extensions, bends etc. used for plume management components. **E-Tec Plus NX boilers must not exceed the maximum of an equivalent horizontal flue length of 12 m.**

All joints between flue sections should be connected using the clamps provided. It is not required to add additional screws through the clamps and into the flue sections.



- When the flue length required is more than the maximum stated in Section 4.6, paragraph 1, refer to the table below and Figs 5.7b and 5.8b.

| Rear Flue length (B) | Side Flue length (B + C) | Comments |
|---|-----------------------------|---|
| Up to maximum:- 11.890 m (Subtract 45 mm if the wall jig is used) | Up to maximum:- 11.805 m | Alpha CD 750 mm flue extension (Part No. 6.2000750) or 1000 mm extension (Part No. 6.2001050) is required to extend the range of telescopic flue. Refer to Section 4.8 for instructions on how to extend the flue. Note: A 130 mm flue hole (127 mm core drill) may be required in the wall. This is when the extended flue is passed through the wall. |

Additional support brackets are required when extending the flue. These are available from Alpha, Part No. 6.1000355.

- Use the template (supplied with the boiler) to mark the required flue position, ensure the slope towards the boiler is correct.
- Determine the overall flue length as described in Section 5.7, paragraph 2 to determine the number of Alpha CD 750 or 1000 mm flue extensions required.
- Assemble the flue extensions together by locating the inner duct into the seal joint and secure each extension together with the extension clamps supplied (three screws). Ensure that the clamps are positioned centrally over the joints.
Note: If it is required to cut an extension, **DO NOT** cut the end of the inner duct that incorporates the seal joint. Ensure the inner duct end without the seal joint is cut so that it is 20 mm longer than the outer duct. Ensure that all cuts are square and free from burrs. Once assembled with the components pushed home, the flue is fully sealed.
- Adjust the telescopic section of the CD Easy-Flue to the required length and secure the Easy-Flue with the sealing tape supplied. Fit the CD Easy-Flue to the extensions by locating the inner duct into the seal joint and secure with the clamp (three screws), ensuring it is located centrally over the joint.
- Mark the end of the flue assembly 'TOP' where it is connected to the boiler, so that the 'TOP' of the flue terminal is aligned with the 'TOP' at the boiler end of the flue assembly.
- Pass the complete flue assembly through the wall.
- Fit the bend to the boiler and rotate to the correct position and secure in position. If the inside sealing collar (white) is being used to make good the inside wall, then it will need to be fitted before assembling the flue.
- Slide the larger CD Easy-Flue 45 mm clamp (two screws) over the outer duct and pull the flue assembly towards the bend, locating the inner duct into the seal joint on the bend.

All joints between flue sections should be connected using the clamps provided. It is not required to add additional screws through the clamps and into the flue sections.

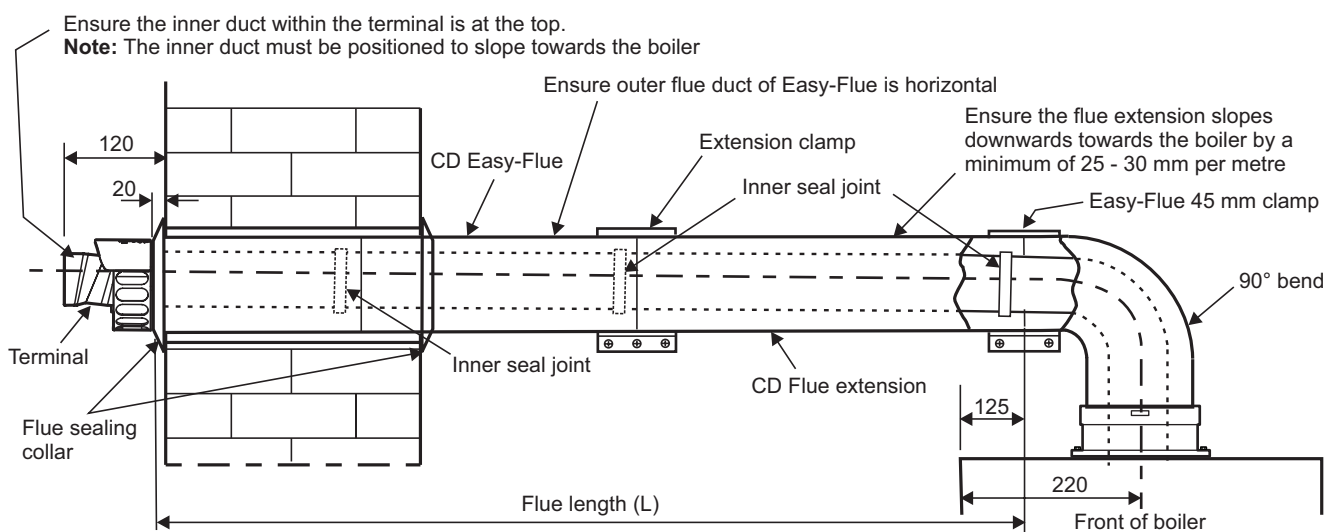


Fig. 5.13b - Clamped side flue

10. Secure the flue assembly to the bend with the clamp ensuring it is positioned centrally over the joint, ensuring the 'TOP' marked on the outer duct is positioned at the top.
Note: Check the flue terminal protrudes 120 mm out of the wall and that the inner duct of the terminal is positioned correctly, i.e. the inner duct within the terminal is at the top. See Fig. 5.13b.
11. Make good the outside wall by fitting the outside sealing collar (black) onto the location provided immediately behind the flue terminal grille. Make good the inside wall using the inside sealing collar (white) if required.

5.10. FIT PLUME MANAGEMENT COMPONENTS - (OPTIONAL)



The following procedures detail the options for management of the exhaust flue gas/plume emitted from the terminal.

- a. The terminal supplied with the Easy-Flue can be altered to divert exhaust flue gas/plume at an angle. This can be achieved by simply turning the end section of the terminal to the desired angle.
 - b. The Easy-Flue can be converted to allow the inner flue duct to be extended so as to position the terminal in an area where the exhaust flue gas/plume will not cause a nuisance. This can be done before or after installation of the flue, providing there is access to the terminal from outside.
- i. Remove the screws (1 in Fig. 5.14) securing the terminal and remove the terminal by pulling it from the flue assembly. Remove the screw (2 in Fig. 5.14) securing the terminal end section and remove the end section from the terminal.
 - ii. Locate a 93° Plume Management bend into the flue assembly and rotate it to the direction required.
 - iii. Connect to the 93° bend the required Plume Management components as detailed and refer to Fig. 5.15.
- Notes:**
1. The wall support brackets must be used to secure the Plume Management pipework to the wall and prevent disconnection of the 93° bend from the flue assembly or any other component.
 2. Each joint must be secured with one of the screws provided to prevent accidental disconnection.
 3. Ensure there is always a slight slope towards the flue assembly fitted in the wall and there is no part of the plume management pipework where condensate/rain will collect and cause a blockage or any restriction.
- iv. Terminate the Plume Management pipework by fitting the terminal end section (push-fit) previously removed. Refer to Fig. 5.15.
 - v. The Plume Management components available for extending the inner flue duct are as follows:-
 Plume Management 93° bend 60 mm dia. (each 93° bend equivalent to 1.3 m flue length) - Part No. 6.2001390.
 Plume Management 45° bend 60 mm dia. (each 45° bend equivalent to 0.9 m flue length) - Part No. 6.2001345.
 Plume Management 1000 mm extension 60 mm dia. (equivalent to 1 m flue length) - Part No. 6.2001310.
 60 mm dia. wall bracket - Part No. 6.2001260.
 Plume kit (2 x 93° bends 1 x 1000 mm extension and wall bracket) - Part No. 6.2001300.

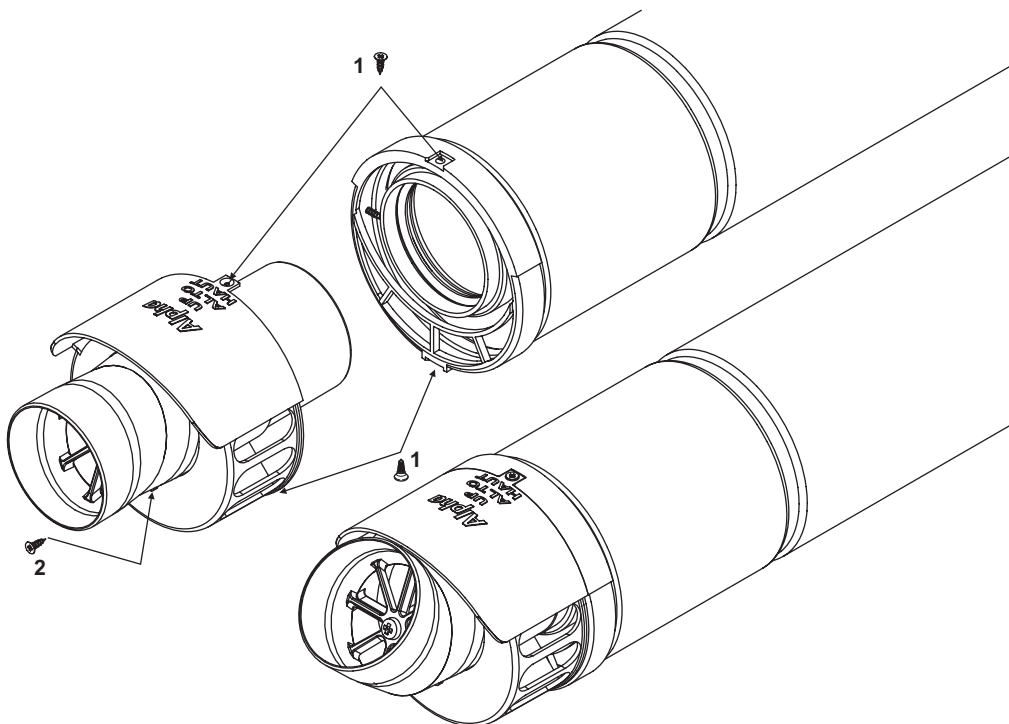


Fig. 5.14

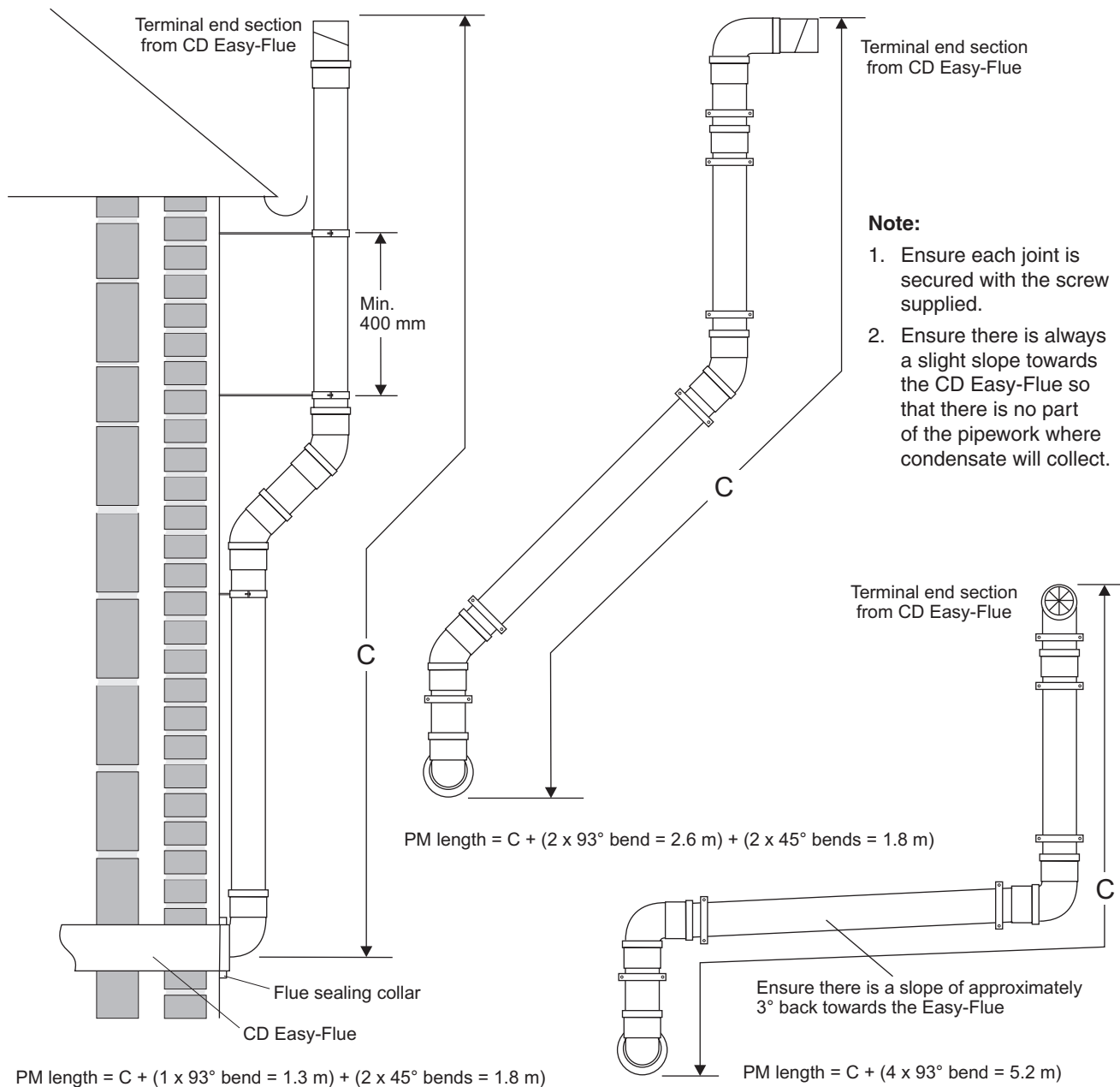


Fig. 5.15

Note: The equivalent horizontal flue assembly length + the equivalent plume management length (PM length) must not exceed the maximum flue length stated for each boiler, i.e.

E-Tec Plus NX boilers - the maximum equivalent flue length must not exceed 12 metres.

5.11 CONNECT THE MAINS SUPPLY - Figs. 5.16 and 5.17

Gain access to the boiler terminal block 'D' as follows:-

Remove the case front panel, refer to Sections 7.1 and 7.2.

Remove the control panel cover 'B'.

1. Remove the one screw 'A' in Fig. 5.16.
2. Depress the two clips on the control panel cover.
3. Remove the cover 'B' from the control panel 'C'.

Two cable clamps and relevant fixing screws for optional connection are supplied in a bag positioned in the clock housing.

Refer to Technical Data, Section 3.6 for connection details.

The boiler is supplied with a 'Special X' type electrical connection with a PVC <HAR> H05VV-F 3 x 0.75 cable without a plug. If the power cable is damaged or replaced, it must be replaced with a cable supplied by Alpha or authorized After-Sale Technical Service. Replacement is recommended using a qualified company in order to prevent any risk. Ensure the cable clamp that has been fitted is removed and connect as follows:-

Pass the mains supply cable through the cable clamp and connect as follows:- Brown to L, Blue to N and Green/Yellow to \oplus . Ensure correct polarity.

Note: Ensure that the length of the earth wire is such that if the supply cable is pulled out of its clamp the live and neutral wires become taut before the earth wire.

Do not switch on the electrical supply at this stage.

If an external control, i.e. room thermostat or external clock is to be fitted, remove the link between terminals 1 and 2. Pass the cable through the cable clamp and connect it to terminals 1 and 2. (Refer to Section 3.6).

Leave the control panel open until commissioning procedures have been completed.

Carry out electrical system checks - Short circuit, Polarity, Earth continuity and Resistance to earth with a suitable multimeter.

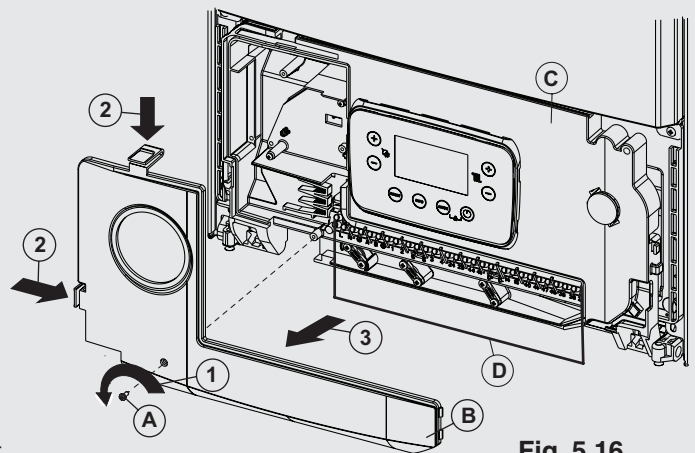


Fig. 5.16

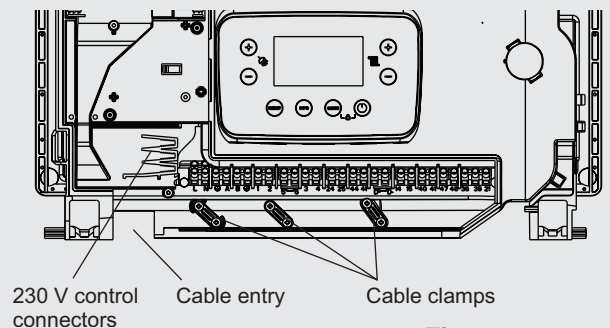


Fig. 5.17

5.12 FITTING BOILER CONTROLS

It is recommended that Alpha controls are used with the boiler to maintain efficient and correct operation of the boiler. Please note that using controls that are not supplied or recommended by Alpha may invalidate the boiler warranty and may not control the boiler correctly.

Alpha offer a number of controls options from simple in-built mechanical timers to remote wireless programmable controllers.

The Alpha Climatic Programmable Modulating Boiler Energy Manager is a two-channel time and temperature programmer with integrated thermostat and 'BUS' system to transfer data between the boiler and controller, enabling full remote control of the boiler functions and display of information. With enhanced boiler control, the unit further increases boiler and system efficiency. Alternatively standard programmable room thermostats or mechanical and digital boiler clocks are available.

Note: Only use a Climatic or suitable single channel Alpha controller. Do not fit a two channel controller.



Connecting Controls

Remove the control panel cover as described in Section 5.11, if it has not already been removed.

Refer to Sections 3.6 and 9.1 for electrical connections and wiring diagram.

Climatic RF receiver installation

1. Plug the connecting wire onto the Climatic receiver PCB supplied with the controller.
2. Using the two screws provided, fix the receiver PCB into position.
3. Route the wire along the groove in the control panel to terminal block connections 44 and 41 (the wires can be connected either way round).
4. Remove the links between terminal blocks 1 and 2.
5. Replace the control panel cover in reverse order.

Note: Ensure all wires and connections are secured safely before replacing covers.

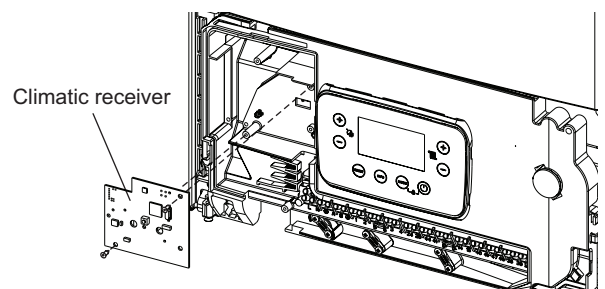


Fig. 5.18

Alpha RF receiver installation

1. Remove the link between the red wires 3 and 4 and plug all wires on to their corresponding numbers on the receiver or clock.
2. Locate the receiver or clock onto the two pins and using the two screws provided fix into position.
3. Route the wires through the slot in the bottom right hand corner of the housing.
4. Remove the round blanking panel from the cover panel and re-fit the control panel cover in reverse order.

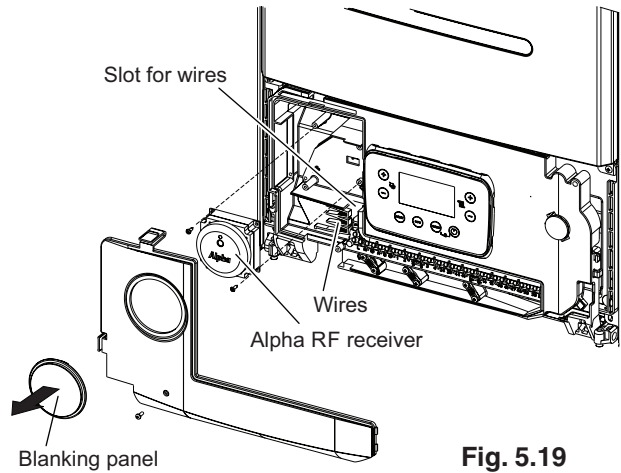


Fig. 5.19

Smartech Plus receiver installation

1. Attach the shorter connecting wires from the power supply to the Smartech Plus receiver. The black moulded plug to the connector X1, yellow and white wires screwed into the OT connector (not polarity sensitive).
2. Route the longer wires from the power supply along the groove in the control panel to the boiler terminal block connections as follows:
 Yellow..... to terminal 44
 White to terminal 41
 Brown to terminal A
 Blue to terminal B
3. Using the two screws supplied, fix the Smartech receiver into position and fit the power supply to the left.
4. Remove the links between terminal blocks 1 and 2.
5. Replace the control panel cover in reverse order.

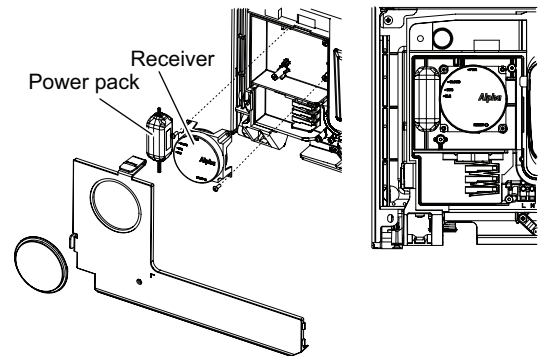


Fig. 5.20

Note: Ensure all wires and connections are secured safely before replacing the covers.

Open Therm type installation

Note: Before purchasing / installing Open Therm type controls from an alternative manufacturer, it is the installers responsibility to ensure they are compatible with the Alpha boiler.

Remove the control panel as described in Section 5.11, if it has not already been removed.

Refer to controls manufacturer's installation instructions for specific mounting / fitting guidance.

Route the BUS communication wires along the groove in the control panel to the terminal block connections 41 and 44 (the wires can be connected either way round).

Ensure the link wire between terminals 1 and 2 remains in place.

Replace the control panel cover in reverse order.

Note: Refer to parameter P17 (see Section 6.14) to select the correct parameter to allow the boiler to operate with alternative control type '1'.

Relay board installation

Remove the control panel cover as described in Section 5.11, if it has not already been removed.

Mount the board by inserting it as far as it will go and fitting it into the two special hooks

Refer to separate guide supplied with relay board before making electrical connections to boiler main PCB or system components.

Replace the control panel and casing in reverse order.

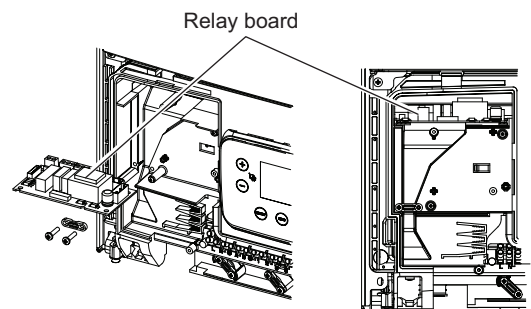


Fig. 5.21

External Sensor – Weather compensation feature



The E-Tec Plus NX boilers have a built in weather compensation feature which is automatically activated when the external sensor is fitted – Part No 3.022383. When fitted the weather compensation sensor allows the boiler to control the maximum primary flow temperature to the heating circuit according to the outside temperature, heating the property more effectively and efficiently.

Operation

During a central heating on period the sensor monitors the external temperature and modulates the boiler heating output to give the correct flow temperature to maintain the required room temperature. If the external temperature drops then the flow temperature will increase, if the external temperature increases then the flow temperature will decrease. This reduces the amount of wasted energy and reduces gas consumption.

When an external weather sensor is fitted the CH temperature control buttons will no longer adjust the flow temperature in °C, instead the display will show a scale of 1 to 9. Each number corresponds to a line on the graph in Fig. 5.22 e.g. line 6 will give a flow temperature of 60°C when the external temperature is 10°C.

Note: The temperature of the radiators will vary depending on the outside temperature; the required room temperature will still be maintained by the room thermostat.

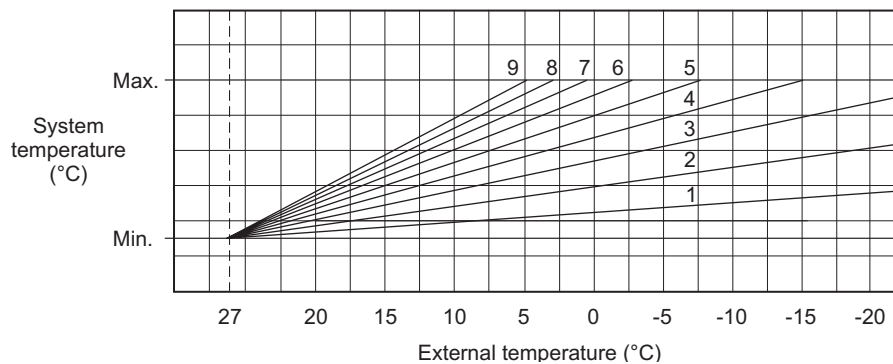


Fig. 5.22

6 COMMISSIONING

When commissioning the boiler, ensure the Benchmark Checklist at the back of these instructions is completed.

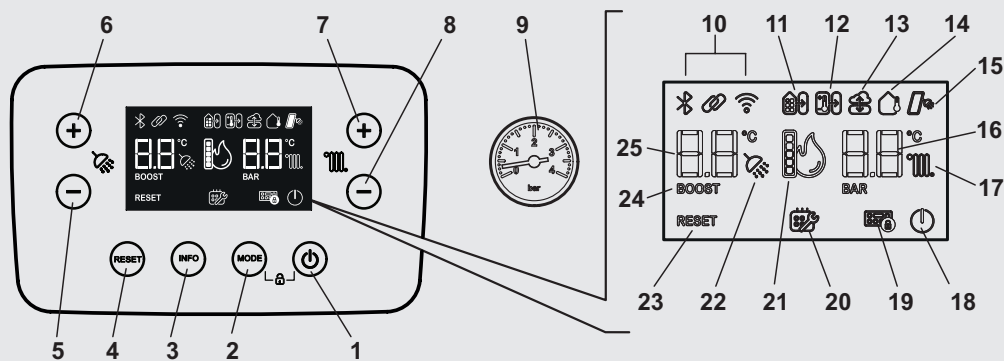


6.1 FILL THE SYSTEM

1. The boiler is fitted with an automatic air vent positioned on the pump (see Fig. 7.8), ducted to the bottom of the boiler casing and is not to be blocked.
2. Open the central heating flow and return valves (operating lever in-line with valve) (see Fig. 5.4).
3. Open the fill point valves on the filling loop until water is heard to flow (see Section 4.7).
4. To remove the air - Vent each radiator in turn, starting with the lowest in the system.
5. Check the operation of the safety valve (see Fig. 7.8) by turning the head anti-clockwise until it clicks. The click is the valve lifting off its seat allowing water to escape from the system - check that this is actually happening.
6. Continue to fill the system until the pressure gauge indicates 1.0 bar. Close the fill point valve and check the system for water soundness. Disconnect the filling loop from the mains supply.
Water may be released from the system by manually opening the drain point (see Fig. 7.8) until the system design pressure is obtained. The system design pressure (cold) should be between 0.75 and 1.25 bar.
Refer to Sections 4.7 and 4.8. Filling and Flushing the system.
7. Open the cold water mains inlet valve (see Fig. 5.4). Turn on all hot water taps and allow water to flow until no air is present. Turn off taps.
8. Ensure that the condensate trap has been filled with water.

6.2 CONTROL PANEL FEATURES - Fig. 6.1

When using the control panel buttons, first activate the keyboard by pressing any button, then press the desired button to activate the desired function.



- | | | |
|---|--|--|
| 1 ON/OFF button | 10 Not used on this model | 19 Keyboard lock active |
| 2 Operating mode button | 11 Not used on this model | 20 Programmed service request |
| 3 Information button | 12 Remote Climatic controller fitted | 21 Flame presence symbol and relative output scale |
| 4 Reset button | 13 External server connection | 22 DHW production enabled (fixed) or active (flashing) |
| 5 Decrease DHW set temperature | 14 External weather probe fitted | 23 Reset button |
| 6 Increase DHW set temperature | 15 Active solar supply (pre heated inlet) | 24 BOOST function active |
| 7 Increase heating system set temperature | 16 Heating system set temperature | 25 DHW set temperature |
| 8 Decrease heating system set temperature | 17 Heating enabled (fixed) or active (flashing) | |
| 9 Heating system pressure gauge | 18 Boiler in OFF mode (flashing) or stand-by (fixed) | |

Note: Pressing buttons 1 and 2 together for five seconds will activate or deactivate the keyboard lock.

















Fig. 6.1

6.3 TEST FOR GAS TIGHTNESS AND PURGE THE SUPPLY

1. With the boiler connected, pressure test the gas supply and inlet pipework connected to the boiler for tightness in accordance with BS 6891.
2. Loosen the gas inlet pressure test point screw on the gas valve (see Fig. 6.2) and purge in accordance with BS 6891.
3. Retighten the test point screw and test for gas tightness. Close the boiler gas service cock.



6.4 CONTROL PANEL SYMBOLS

| | |
|---|--|
|  | Not used. |
|  | Not used. |
|  | Not used. |
|  | A permanently active symbol indicates the presence of a remote device connected e.g. Climatic, Smartech, Commercial remote device, Open Therm. It is also active in stand-by and when displaying faults. |
|  | Not used. |
|  | The solar panel symbol is permanently active if the solar function has been enabled, checking the presence of the probe or the solar delay setting other than zero. A flashing symbol indicates DHW operation with solar delay in progress. It is also active in stand-by and when displaying faults. |
|  | The OTC band symbol indicates the presence of an external probe. It is also active in stand-by and when displaying faults. |
|  | Not used. |
| BOOST | The symbol is permanently active when the 'flow-smart' or pre-heat functions are enabled. The symbol flashes when 'flow-smat' or pre-heat functions are running. It is also displayed with a fault in progress. |
| RESET | The symbol is permanently active when there are faults that must be or can be reset manually. The symbol flashes when special functions are in progress that can be stopped by pressing the button. |
|  | The symbol is permanently active if a service call for maintenance is requested. The symbol flashes during calibration. It is also active in stand-by. |
|  | The symbol is permanently active when the keypad lock is active. The symbol flashes when the user presses a button while the keypad lock is active. It is also active in stand-by and when displaying faults. |
|  | The symbol is permanently active when the boiler is on stand-by (setting made by remote control) The symbol flashes when the boiler is off. This setting can be activated/deactivated by the boiler control panel only. |
|  | The symbol is permanently active when the boiler can meet a DHW request. The symbol flashes during a DHW request or during the chimney sweep function. It is also displayed during the de-aeration function and with a fault in progress. |
|  | The symbol is permanently active when the boiler can meet a CH request. The symbol flashes during a CH request or during the chimney sweep function. It is also displayed during the de-aeration function and with a fault in progress. |
|  | The flame icon is only present when the burner is on. The bars represent the output power level. |
|  | DHW display. Default display. |
|  | CH display. |

6.5 INITIAL LIGHTING - Refer to Fig. 6.1



When the system has been filled and vented, the boiler can then be turned on and commissioned.


1. Before turning on the gas and electrical supplies check the heating system is filled to the correct pressure. Refer to Section 6.1 Fill the System. The pressure gauge on the right of the control panel indicates the heating system pressure. When the boiler is cold the needle should be within the green band.



2. With the gas and electrical supplies to the boiler off, ensure that the mains water inlet valve and the central heating flow and return valves are open.

3. Turn on the gas and electrical supplies to the boiler.


4. Air vent function: When turned on as default the boiler carries out the air vent function. 'dl' is displayed and the function runs for 8 minutes. Press reset to exit early, if required.

At the end of the air vent function it is possible to change the state of the boiler by pressing the on/off or mode buttons as described below.

5. Explanation of ON/OFF () button.

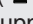
OFF mode: Press the ON/OFF () button: from this moment the boiler remains inactive and the display shows the () symbol flashing. Antifreeze and anti-jamming function is guaranteed according to stand-by/off configuration setting (parameter P.8).

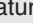

Any remote controls cannot bring the boiler out of this state and fault 83 is shown on the remote control.

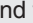
Stand-by mode (only available with remote control connected): The boiler can ONLY be put into stand-by mode by a remote control: in this case the () symbol appears steady on the display.

6. Ensure all external controls are calling for heat. If the optional controls are fitted, refer to the instructions supplied, and ensure they are in an 'ON' mode.

7. Explanation of the 'MODE' button.


DHW only: In this mode the boiler will only produce domestic hot water. The desired hot water temperature can be set using the domestic hot water up and down () buttons and the set point temperature is shown in the display.

DHW and CH: In this mode the boiler will supply domestic hot water and central heating depending on the request from any controls fitted. The domestic hot water temperature is always regulated via the up and down buttons (), the central heating temperature is regulated via the central heating up and down buttons () with the set point temperature being shown on the display. Priority is always given to a DHW demand.

CH only: In this mode the boiler will only provide central heating. The desired system water temperature can be set using the system water up and down () buttons and the set point temperature is shown in the display.

Note: 1. It is necessary to press the 'MODE' button to cycle through the different modes.

2. If a weather compensation sensor is fitted a gradient value of 0 to 9 is displayed (see Fig. 6.1) when adjusting the system temperature. This is because the boiler output is modulated according to outside temperature. Refer to the external sensor instructions for further information on this feature and Section 5.12.

8. From this moment the boiler functions automatically. A demand for central heating or hot water will activate the boiler. Each time the burner ignites, the flame present symbol () is displayed together with the relative strength of the flame (output power).

For any controls fitted please refer to the instructions supplied with the controls for connection and operation details and Section 5.12.

6.6 BOILER OPERATION



Domestic hot water supply always takes priority over central heating. If a demand for hot water is required during a central heating period, the boiler will automatically switch to the hot water mode until the demand is satisfied. This interruption in the central heating is only when the demand for hot water is present and should not be noticed by the User.

Central Heating Mode

If there is a call for heat, the pump will start to circulate the central heating water. The fan will run and the premix burner will light. The burner output then automatically adjusts to suit the system demand; as the temperature of the water in the boiler approaches that set by the adjustable temperature thermostat, the burner output is reduced. When the set temperature is reached, the burner is turned off. The fan continues to run for 30 seconds and the pump continues to run for three minutes, after which the burner can relight if required. If the primary sensor has not registered the preset temperature but the room thermostat is satisfied the burner is turned off. The fan continues to run for 30 seconds and the pump continues to run for 10 seconds. In this instance there is no delay before the burner will relight.

If there is a demand for DHW during the burner delay, the boiler will operate to provide DHW until the tap is closed; the boiler will then revert to provide CH if there is a demand.

Note: If the system pressure is very low, the primary pressure sensor will prevent the boiler from operating.

Domestic Hot Water Mode

When a demand for hot water (by opening a hot tap, etc.) is sensed by the flow switch, the pump starts, the fan will run and the burner lights, increasing immediately to its maximum output. Water in the boiler is then diverted from the central heating system to the domestic hot water heat exchanger, heating the incoming mains water. The burner output is varied to maintain the temperature of the hot water as that set by the adjustable temperature selector. When the flow switch senses that hot water is no longer required the burner is turned off and the boiler returns to the central heating mode.

If the boiler is set for hot water only - The burner is turned off, the fan will continue to run for 30 seconds and the pump will stop immediately. In both modes the fan modulates according to the output required.

Preheating function

When this function is active, the word '**BOOST**' appears in the display and the boiler is maintained at a temperature sufficient to ensure instant hot water delivery.

If it is set to AUTO mode (see Parameter t.2, Section 6.14), press and hold the '**MODE**' button for more than 5 seconds to activate or deactivate it.

To maintain the temperature the boiler may be switched on even without requests for domestic hot water or central heating; this type of operation is indicated by the '**BOOST**' message flashing.

Activating this function leads to a reduction in the energy efficiency of the appliance.

Warning: The use of the preheat function will reduce the efficiency and increase fuel use.



Frost Thermostat

The boiler incorporates a built in frost thermostat which automatically turns on the boiler if the water in the boiler falls below 4°C, provided that the electric and gas supplies are on, and the boiler is not in fault.. The boiler will operate until the water temperature in the boiler reaches 42°C.

Any other pipework outside of the boiler must be protected from the risk of freezing and insulated. Additional protection from an external frost thermostat and pipe thermostats should be considered.

Boiler frost protection will not prevent damage caused by freezing of pipework outside the boiler casing (i.e. external pipework, incoming cold mains etc.). Boiler damage caused by freezing external pipework is not covered under warranty.

Pump Cycle

If the electrical supply is on and the boiler has not operated for 24 hours in heating or hot water, the pump will operate automatically for thirty seconds every 24 hours.



6.7 CHECKING THE COMBUSTION - CHIMNEY SWEEP MODE

As part of the Benchmark Checklist procedure the combustion levels of the boiler when the installation is completed must be measured and recorded.

The air gas ratio of the boiler has been factory-set and should not require adjusting during commissioning. If adjustment is recommended or required the engineer must be competent to carry out this work. See Fig. 6.3 for analyser test point.


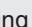
If the boiler requires adjusting or setting to operate on LPG, further guidance is detailed in Section 6.12.

Chimney Sweep Mode - See Fig. 6.2.

Without any CH or DHW demand, press and hold the reset button for five seconds and the boiler will fire at a fixed output. 'Sc' will be shown on the display (DHW digits) to indicate this mode, if a Climatic controller is fitted it will display ERR>07 code on the controller (this is not a fault).

Once the function is activated, it is possible to select whether to make the check in CH status or DHW status by opening any hot water tap.

If the function is active in CH mode, the CH +/- buttons can be used to select the power from minimum power (0%) to maximum CH power (99%) in 1% intervals. If the function is active in DHW mode the CH +/- buttons can be used to select the power from minimum power (0%) to maximum DHW power (99%) in 1% intervals.

The central heating or DHW operating mode is displayed by the relative symbols () or () flashing.

This mode will remain active for fifteen minutes or can be cancelled by pressing the 'RESET' button.

Use the CH down button to set the output to minimum to check the minimum CO₂ reading, wait for the boiler stabilise, check the combustion and record the reading.

Use the CH up button to set the output to maximum to check the maximum heating CO₂, again allow the burner to stabilise and record the reading.

If the CO₂ readings are not within the stated tolerance (refer to Section 3.1) then check the installation including the complete flue assembly and repeat the above process.

When checking at maximum output the boiler will have a higher noise level, this is normal.

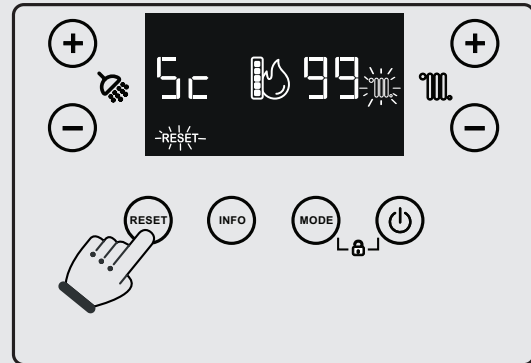
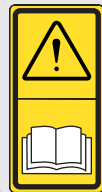


Fig. 6.2

6.8 FINAL COMMISSIONING

1. Allow the heating system to heat up, then balance the system to achieve the necessary temperature difference across the heating flow and return pipes at the boiler and check the system volume and pressure. (Refer to Section 3.1).
2. Turn off the boiler.
3. Thoroughly flush out the water pipework (refer to Section 4.8). Clean the mains water inlet filter (see Fig. 5.4).
4. Refill and re-pressurise the system as described in Section 6.1.
5. Add the correct level of inhibitor to the system as detailed in the instructions supplied with the inhibitor.



6.9 FINAL ASSEMBLY

1. If the boiler is to be left in service with the User, set the controls, clock (if fitted, see User's Operating manual) and room thermostat (if fitted) to the User's requirements.
2. If the boiler is not to be handed over immediately, close the boiler gas service cock and switch off the electrical supply.
3. If there is any possibility of the boiler being left during frost conditions, then the boiler and system should be drained (refer to Section 8.2). It is recommended that a label is attached to the boiler drawing attention to the fact that the system has been drained.
4. Complete the details of the installation in the Benchmark Checklist at the back of these instructions.

6.10 USER INFORMATION



The User must be advised (and demonstrated if necessary) of the following important points:-

1. How to light and turn off the boiler and how to operate the system controls.
2. The importance of annual servicing of the boiler to ensure safe and efficient operation and maintain the boiler guarantee.
3. That any servicing or replacement of parts must only be carried out by a Gas Safe registered engineer.
4. Ensure that the boiler controls and room thermostat (if fitted) are set to the User's requirements.
5. Tell the User about the sealed system pressure.
6. Tell the User that if the electrical supply is on and the boiler has not operated for 24 hours for heating or hot water, the pump will automatically operate for 30 seconds.
7. Explain to the User that an internal frost thermostat is fitted in the boiler, and that the electrical supply to the boiler must be left on for the thermostat to operate, i.e. the boiler must be set to standby.
8. Explain to the User that in certain weather conditions the flue terminal will emit a plume of steam, i.e. water vapour. This is safe and quite normal.
9. Show the User the position of the condensate discharge pipes.
10. Leave the instructions with the User.
11. Ensure the Benchmark Checklist at the back of these instructions has been completed after the boiler has been installed and commissioned.
Note: It is a requirement that the installation is registered by the installer through the Gas Safe Gas Work Notification Scheme.
12. Leave these Installation and Servicing instructions with the User for use on future calls.

6.11 INFORMATION MENU



Press the '**INFO**' button (item 3 in Fig. 6.1) for at least 1 second for the 'Information menu' to open, displaying some boiler operation parameters.

To scroll through the various parameters press the '**INFO**' button, then press '**MODE**' button to enter the parameter and show the value.

To go back to the previous screen or exit the menu, press the '**RESET**' button (item 4 in Fig. 6.1), or wait 15 minutes.

| Parameter ID | Description |
|--------------|---|
| d.0 | Flowsmart temperature adjustment (with optional diverter kit only) |
| d.1 | Displays the flame signal (μ A) |
| d.2 | Displays the primary heat exchanger output instant heating flow temperature ($^{\circ}$ C) |
| d.3 | Displays the instant output temperature from the DHW heat exchanger ($^{\circ}$ C) |
| d.4 | Displays the values set for central heating set ($^{\circ}$ C) |
| d.5 | Displays the values set for the DHW set ($^{\circ}$ C) |
| d.6 | Displays the external temperature (if optional external probe fitted). If it is below zero, the value is displayed flashing ($^{\circ}$ C) |
| d.7 | Displays the temperature of the inlet DHW (if optional DHW inlet probe fitted) ($^{\circ}$ C) |
| d.8 | Displays the system return temperature ($^{\circ}$ C) |
| d.9 | Displays a list of the last eight faults (to scroll the list, press the CH temperature up or down buttons, items 7 or 8 in Fig. 6.1) |
| d.10 | Fault list reset. Once d.10 is displayed, press MODE , the display shows '--'. Then press MODE again for at least 3 seconds. Deletion is confirmed via the '88 88' symbols flashing for 2 seconds |
| d.11 | Not used |
| d.12 | Displays the pump operating speed |
| d.13 | Not used |
| d.14 | Displays the pump flow rate (l/h) |
| d.15 | Displays the fan operating speed (rpm) |
| d.16 | Displays the temperature read by the flue sensor ($^{\circ}$ C) |
| d.17 | Displays the calculated flow temperature ($^{\circ}$ C) |
| d.18 | At the end of the screed heater function, displays for how many hours the flow temperature remained at 'Top set' |
| d.19 | Toggles between the safety software version and the functional software version |
| d.20 | Not used |
| d.21 | Not used |
| d.22 | System pressure (bar) |
| d.23 | Not used |
| d.24 | Not used |
| d.25 | Not used |
| d.26 | Not used |
| d.27 | Not used |

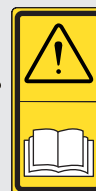
6.12 CONVERTING THE BOILER TO OPERATE ON LPG

If the boiler has to be converted for LPG, obtain the relative conversion kit. The gas conversion operation must be carried out by a competent and suitably qualified Gas Safe registered engineer.

To convert to LPG the following operations are required:

- Isolate the appliance from the electric and gas supplies.
- Replace the injector located on the upper fitting of the gas valve and re-seal the connections (Fig. 7.8).
- Re-instate gas and electric supplies.
- Calibrate the new fan speed for LPG (Section 6.14).
- Check / adjust the correct CO₂ (Section 6.13).
- Seal the gas flow rate regulation devices (if settings are modified).
- After completing the conversion, apply the sticker (supplied in the conversion kit) near the boiler data plate. Using an indelible marker pen, delete the data relative to the old type of gas.

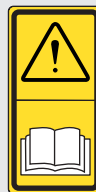
These adjustments must be made according to the type of gas used, given in the table (Section 3).



6.13 CO₂ SET UP PROCEDURE

The air gas ratio of the boiler has been factory set and should not require adjusting during first commission. If adjustment is recommended or required the engineer must be competent to carry out this work.

If setting the boiler on a Hydrogen mix installation (20% H₂NG), for all calibration and combustion checks, refer to the O₂% values for the flue gas analysis. See Section 3.1.



Before starting this procedure please check the following:

The front case is fitted.

The flue system is not blocked or restricted and is to the correct specification.

The gas supply working pressure is correct and the system has been purged.

There is no recirculation in the boiler flue circuit.

The condensate trap is pre-filled.

If the flow temperatures are getting up to maximum operating temperature during the procedure it is possible to open a hot tap to lose the heat.

Attention: the CO₂ checks must be carried out with the case fitted, while the gas valve adjustments must be carried out with the front case removed.

Calibration of the maximum CO₂ (nominal DHW output)

Refer to Section 6.7 and enter the chimney sweep mode (open any hot tap to activate maximum mode) use the CH up and down buttons to set the output to maximum (99%). Insert the analyser probe into the flue test point (Fig. 6.4) and check that the CO₂ value is as specified in Section 3.1, otherwise adjust the max CO₂ adjuster (Fig. 6.3). To increase the CO₂ value, turn the adjustment screw in a clockwise direction and vice versa to decrease.

Calibration of the minimum CO₂ (minimum output)

When you finish the maximum CO₂ adjustment, while maintaining the chimney sweep function active, use the CH up and down buttons to set the output to minimum (0%). Insert the analyser probe into the flue test point (Fig. 6.4) and check that the CO₂ value is as specified in Section 3.1, otherwise adjust the minimum CO₂ adjuster (Fig. 6.3). To increase the CO₂ value, turn the adjustment screw (Fig. 6.3) in a clockwise direction and vice versa to decrease it.

At every gas valve adjustment, it is necessary to wait for the boiler to stabilise itself at the value set (approx. 30 sec.).

For Hydrogen fuel installations only

With Hydrogen mix installation (20% H₂NG), when setting the maximum, if the value of O₂ as specified in Section 3.1 cannot be reached with the adjusting screw fully open, then additional adjustments are not necessary.

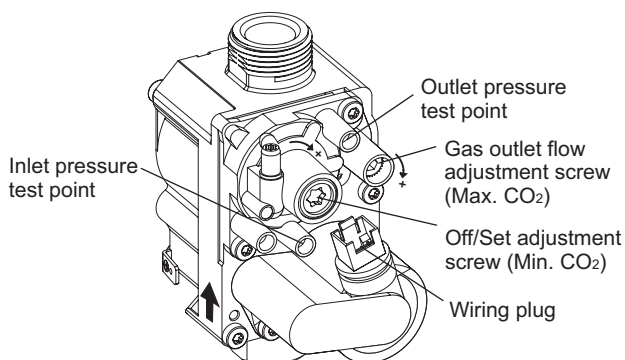


Fig. 6.3

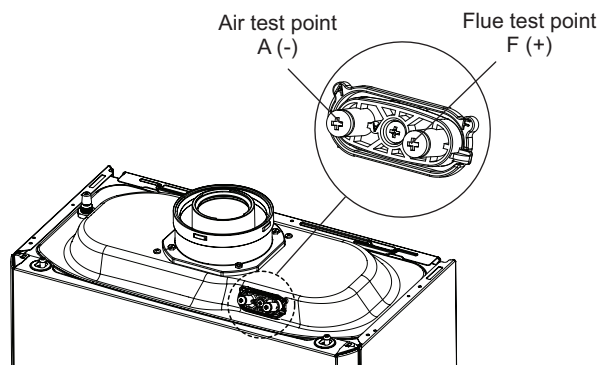


Fig. 6.4

6.14 PROGRAMMING THE PCB

The boiler has the ability to programme several operational parameters. By modifying these parameters as described below, the boiler can be adapted according to specific needs.

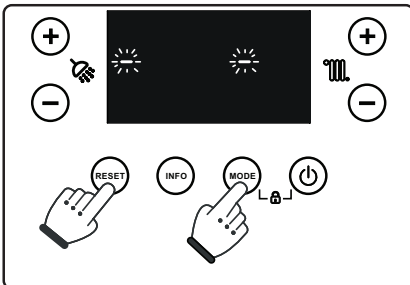


Fig. 6.5

To access the programming phase, press and hold the **'MODE'** and **'RESET'** buttons at the same time for more than 5 seconds, the display will show two dashes (-) single blinks and you must enter the password '69' to access the programming menus.

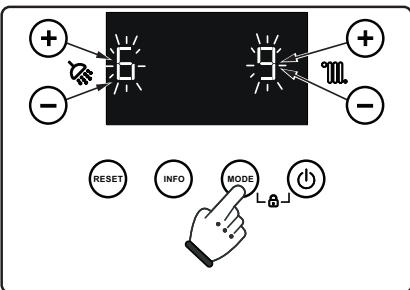




Fig. 6.6

To enter the first digit of the password use the DHW () +/- buttons, to enter the second digit use the CH () +/- buttons. To confirm the password and access the menu, press the **'MODE'** button.

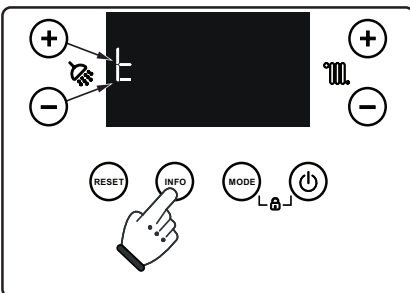


Fig. 6.7

Accessing the menu displays the first item in the list of service call parameter families.

The desired parameter family can be selected by pressing **'INFO'** button to scroll forward.

Scrolling through the list of parameter families occurs in a circular mode:

G→**P**→**t**→**A**→**G**→**P**→..... then press the **'MODE'** button to enter the selected parameter family.

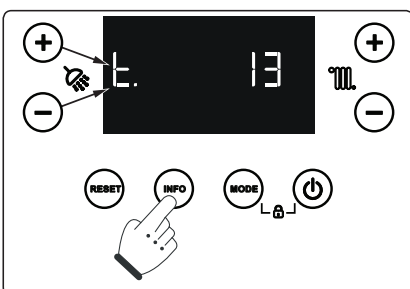


Fig. 6.8

To select the desired parameter (e.g. t.13) press the **'INFO'** button to scroll through the parameters within the family (e.g. t.) previously selected and then confirm by pressing the **'MODE'** button.

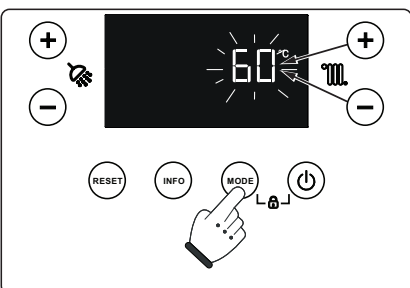



Fig. 6.9

If the parameter can be adjusted, it activates the option to adjust the parameter using the CH () +/- buttons.

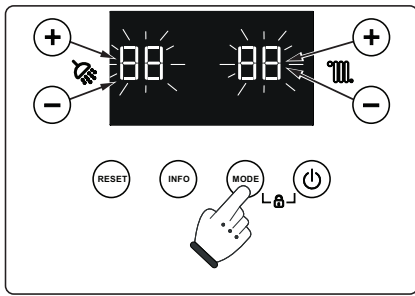


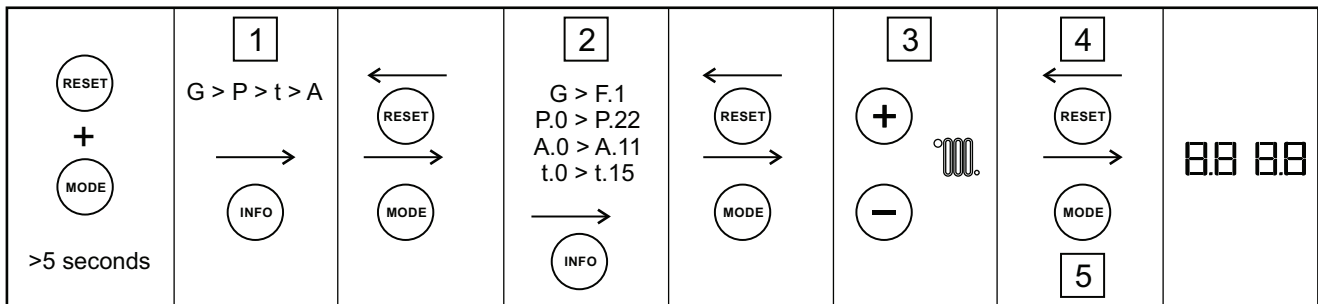
Fig. 6.10

The parameter adjustment is saved by pressing the 'MODE' button after its value has been adjusted, displayed by '88 88' flashing for 2 seconds.

If you want to exit a parameter without changing its value, press the 'RESET' button.

Press the 'RESET' button or wait for 15 minutes to exit the configuration menu.

Programming sequence



1 - Parameter family selection 2 - Parameter selection 3 - Parameter value 4 - Without memorising 5 - Store

Fig. 6.11

| ID | Parameter | Description | Default | Customised value |
|-----|-----------------------------------|--|--|------------------|
| G. | Not used | - | - | |
| n. | Not used | - | - | |
| S.0 | DHW min. number of fan revs | Defines the operating speed of the fan at min. DHW output | E-Tec Plus 28NX NG = 1350 LPG = 1350 E-Tec Plus 33NX NG = 1400 LPG = 1400 E-Tec Plus 38NX NG = 1400 LPG = 1400 | |
| S.1 | DHW max. number of fan revs | Defines the operating speed of the fan at max. DHW output | E-Tec Plus 28NX NG = 5900 LPG = 5900 E-Tec Plus 33NX NG = 6100 LPG = 6100 E-Tec Plus 38NX NG = 6100 LPG = 6100 | |
| S.2 | Ignition phase number of fan revs | Defines the operating speed of the fan during the ignition phase | E-Tec Plus 28NX 2200 E-Tec Plus 33NX 2500 E-Tec Plus 38NX 2500 | |
| F.0 | Not used | - | | |
| F.1 | Not used | - | | |

| ID | Parameter | Description | Range | Default | Customised value |
|-----|-----------------------------------|--|---------|---|------------------|
| P.0 | DHW max. | Defines the max. heat output percentage of the boiler during DHW phase compared to the max. heat output available | 0 - 100 | 100 | |
| P.1 | CH min. | Defines the min. output percentage of the boiler in CH mode | 0 - P2 | 0 | |
| P.2 | CH max. | Defines the max. output percentage of the boiler in CH mode | 0 - 100 | E-Tec Plus 28NX NG = 83 LPG = 83 E-Tec Plus 33NX NG = 86 LPG = 86 E-Tec Plus 38NX NG = 84 LPG = 84 | |
| P.3 | Pump functioning | The pump can be operated in two modes: 0 - Intermittent - In winter 'mode' the pump is controlled by the room thermostat or remote control 1 - Continuous - In winter 'mode' the pump is always energised, therefore always running | 0 - 1 | 0 | |
| P.4 | On board relays (5 - 6) | Setting a value other than zero is not acceptable if the function is already present in another relay: 0 - OFF 1 - Zone 1 control (with Climatic) 2 - Zone 2 control 3 - General alarm 4 - Alpha trace heating kit enabled 5 - Flow Smart 6 - External pump 7 - Not used 8 - External system 3-way valve 9 - Boiler pump active 10 - Chiller remote activation 11 - Not used 12 - Not used | 0 - 12 | 0 | |
| P.5 | Relay 1 on relay board (optional) | Setting a value other than zero is not acceptable if the function is already present in another relay: 0 - OFF 1 - Zone 1 control (with Climatic) 2 - Zone 2 control 3 - General alarm 4 - Alpha trace heating kit enabled 5 - Flow Smart 6 - External pump 7 - External gas valve 8 - External system 3-way valve 9 - Boiler pump active 10 - Chiller remote activation 11 - Not used 12 - Not used | 0 - 12 | 0 | |
| P.6 | Relay 2 on relay board (optional) | See notes P.5 | 0 - 12 | 0 | |
| P.7 | Relay 3 on relay board (optional) | See notes P.5 | 0 - 12 | 0 | |
| P.8 | Standby/off configuration | 0 - Antifreeze, anti-block 1 - Antifreeze off, anti-block 2 - Antifreeze and anti-block off 3 - Not used | 0 - 3 | 0 | |
| P.9 | External probe reading correction | If the reading of the external probe is not correct it is possible to correct it in order to compensate any environmental factors | -9 - 9K | 0 | |

| ID | Parameter | Description | Range | Default | Customised value |
|------|---|--|---------|---------|------------------|
| P.10 | Max. power correction for flow rate regulator | Not used | - | - | |
| P.11 | Configuration input 1 (40 - 41) low voltage | Setting a value other than zero is not acceptable if the function is already present in another input: 0 - Off 1 - Room thermostat zone1 in AND Alpha Bus input (44 - 41) 2 - Room thermostat zone 1 in OR Alpha Bus input (44 - 41) 3 - Room thermostat zone 2 in OR Alpha Bus input (44 - 41) 4 - Safety thermostat (low temperature). Volt free input only | 0 - 4 | 0 | |
| P.12 | Configuration input 2 (14 - 15) (Low voltage) | See notes P.11 | 0 - 4 | 4 | |
| P.13 | Configuration input 3 (1 - 2) (230V) | 0 - Off 1 - Room thermostat zone1 in AND Alpha Bus input (44 - 41) 2 - Room thermostat zone 1 in OR Alpha Bus input (44 - 41) 3 - Room thermostat zone 2 in OR Alpha Bus input (44 - 41) | 0 - 3 * | 2 | |
| P.14 | Alpha Bus input configuration (44 - 41) (Low voltage) | Setting a value other than zero and one is not accepted if already present in another input: 0 - OFF 1 - Alpha Bus 2 - Room thermostat zone 1 3 - Room thermostat zone 2 4 - Safety thermostat (low temperature) | 0 - 4 | 1 | |
| P.15 | Sensor configuration (47 - 48) | 0 - OFF 1 - DHW inlet probe 2 - System flow probe | 0 - 2 | 0 | |
| P.16 | Service call reminder | Set the value in months at scheduled maintenance | 0 - 36 | 0 | |
| P.17 | Remote control protocol (Low voltage) | Set the dialogue protocol with the remote device: 0 - Alpha Bus - Select this mode when connecting an Alpha remote control (e.g. Climatic) to terminals 44 - 41 1 - Open therm type remote control - Boiler terminal block link 1 to 2 should be removed (depending on parameter P.13) | 0 - 1 | 0 | |
| P.18 | Modbus protocol | Modbus port setting: 1 - OFF 2 - Not used 3 - Not used | 1 - 3 | 1 | |
| P.19 | Slave address (for BMS) | Not used | - | - | |
| P.20 | Baud rate (for BMS) | Not used | - | - | |
| P.21 | Stopbits (for BMS) | Not used | - | - | |
| P.22 | Paritybit (for BMS) | Not used | - | - | |

* Setting a value other than 0 is not possible if the function is active on another input.

| ID | Parameter | Description | Range | Default | Customised value |
|------|--|--|--------------------------------------|-----------------|------------------|
| t.0 | CH set point min. temperature | Set minimum flow temperature | (20 - 50) | 20 | |
| t.1 | CH set point max. temperature | Set maximum flow temperature | (25 - 85) | 85 | |
| t.2 | Boost mode DHW pre-heat | 0 - Always off 1 - Always on 2 - Auto | 0 - 2 | 0 | |
| t.3 | Solar delay timing | The boiler is set to switch on immediately after a DHW demand. In the case of combination with a solar storage tank located upstream of the boiler, it is possible to compensate for the distance between the storage tank and the boiler to allow hot water to reach the boiler. Set the time required to check that the water is sufficiently hot (see Section 6.20) | 0 - 30 seconds | 0 | |
| t.4 | DHW priority timing | In winter mode, the boiler at the end of a domestic hot water demand is set to switch operation to space heating mode if there is an active demand. This timing defines a time during which the boiler waits before changing operation mode in order to quickly and comfortably meet any further domestic hot water heating demand. | 0 - 100 seconds (10 sec steps) | 2 (20 sec) | |
| t.5 | CH ignition timer | The boiler has an electronic timer, which prevents the burner from igniting too often in central heating mode. | 0 - 600 seconds (10 sec steps) | 18 (180 sec) | |
| t.6 | Heating ramp timing | In central heating mode, the boiler performs an ignition ramp in order to reach the maximum output set. | 0 - 840 seconds (10 sec steps) | 18 (180 sec) | |
| t.7 | CH ignition delay from room thermostat request | The boiler is set to switch on immediately after a request. In the event of particular systems (e.g. area systems with motorised thermostatic valve etc.) it may be necessary to delay ignition. | 0 - 600 seconds (10 sec steps) | 0 | |
| t.8 | Display lighting | Establishes the display lighting mode: 0 - The display lights up during use and dims after 15 seconds of inactivity. In the event of an anomaly the display flashes 1 - The display is always lit with low intensity 2 - The display is always lit with high intensity | 0 - 2 | 0 | |
| t.9 | Display | See following table - Main display based on parameter t.9 | 0 - 2 | 2 | |
| t.10 | Low lighting level | Backlight brightness in low mode in % | 0 - 100 | 20 | |
| t.11 | Buzzer sound level | Buzzer noise level in % | 0 - 100 | 100 | |
| t.12 | DHW set point min. temperature | Set minimum DHW set limit available to user | 10 - (t.13 - 5) | 30 | |
| t.13 | DHW set point max. temperature | Set maximum DHW set limit available to user | (t.12 + 5) - 65 | 60 | |
| t.14 | Max. increase in HF temperature | Where optional system flow sensor is fitted (P.15 = 2) max. increase to HF temperature over setpoint | 0 - 15 | 5 | |
| t.15 | HF temperature anti-cycling offset | Where optional system flow sensor fitted (P.15 = 2), during the boiler ignition (first 60 seconds) the HF off temperature is increased of the value set. To avoid cycling | 0 - 15 | 5 | |


Main display based on parameter t.9

| Operating mode | Display configuration (t.9) | DHW | CH |
|----------------|-----------------------------|---|---|
| DHW only | 0 | Always off | Always off |
| | 1 | Pump On in DHW - Displays the flow temperature Pump Off - Displays the DHW set point | Always off |
| | 2 | Always displays the DHW set point | Always off |
| CH only | 0 | Always off | Always displays the CH set point |
| | 1 | Always off | Pump On in CH - Displays the flow temperature Pump Off - Displays the CH set point |
| | 2 | Always off | Always displays the CH set point |
| DHW + CH | 0 | Always off | Always displays the CH set point |
| | 1 | Pump On in DHW - Displays the flow temperature Pump Off - Displays the DHW set point | Pump On in CH - Displays the flow temperature Pump Off - Displays the CH set point |
| | 2 | Always displays the DHW set point | Always displays the CH set point |

| ID | Parameter | Description | Range | Default | Customised value |
|------|---|--|----------------------------|-------------|------------------|
| A.0 | DHW hydraulic selection | 0 - Instantaneous 1 - Instantaneous with flow rate regulator 2 - Storage tank 3 - Not used | 0 - 3 | 0 | |
| A.1 | DHW flow rate regulator | Not used | - | - | |
| A.2 | Max. pump speed | Defines the maximum operating speed of the pump. (If A1 = A2, pump operating at set speed) | A3 - 9 | 9 | |
| A.3 | Min. pump speed | Defines the minimum operating speed of the pump. It is recommended not to enter values lower than 6 | 1 - A2 | 6 | |
| A.4 | Pump mode | Defines the operating mode of the pump: $\Delta T = 0$ Proportional head (Section 3.4) $\Delta T = 5 - 25K - \Delta T$ constant (Section 3.4) | 0 - 25 | 15 | |
| A.5 | Not used | - | - | - | |
| A.6 | Not used | - | - | - | |
| A.7 | DHW thermostat | Establishes the switch off method in DHW mode: 0 - Fixed, the switch off temperature is fixed at the maximum value regardless of the value set on the control panel 1 - Correlated, the boiler switches off according to the temperature set | 0 - 1 | 0 | |
| A.8 | System automatic vent | Enables the automatic vent function. This function activates as soon as the unit is powered 0 - Disabled 1 - Enabled | 0 - 1 | 1 | |
| A.9 | Pressure sensor/pressure switch selection | Selects the system pressure detection mode: 0 - Do not use 1 - Pressure switch | 0 - 1 | 1 | |
| A.10 | Minimum system pressure value (bar/10) | Value below which the fault "E10" (Insufficient system pressure) is signaled | 00 - 12 (0 - 1.2 bar) | 4 (0.4 bar) | |
| A.11 | Maximum system pressure value (bar/10) | Value above which the fault "E146" (System pressure too high) is signaled | 15 - 35 (1.5 - 3.5 bar) | 30 (3 bar) | |

6.15 PASSWORD PROTECTED SPECIAL FUNCTIONS

The boiler is equipped with some special functions that are password protected.

Note: Some special functions can only be accessed if the boiler is in OFF () mode.

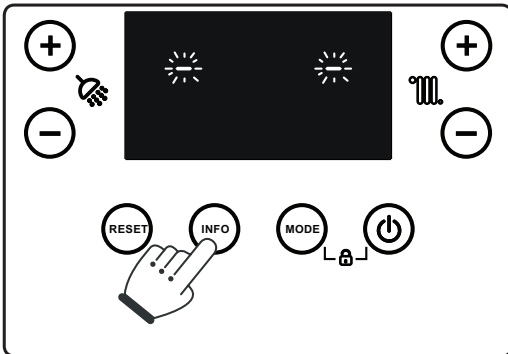


Fig. 6.12

Press and hold the 'INFO' button for more than 5 seconds.

The display will show two dashes ' - - ' flashing.

Now enter the password "6 9" to access the programming menus.

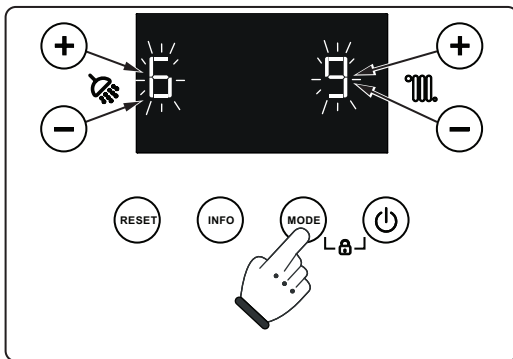

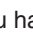


Fig. 6.13

To enter the digit on the left, use the DHW () +/- buttons.

To enter the digit on the right use the CH () +/- buttons.

Press the 'MODE' button to confirm the password.

Once the functions menu has been accessed, it is possible to cyclically scroll through the available functions by using the DHW () +/- buttons:

- (Sm) Screened heater function: available with boiler in OFF mode only.
- (MA) Maintenance function: available with boiler in OFF mode only.
- (dl) Automatic vent function
- (FU) Flue installation function

To enter the selected function, press the 'MODE' button.

To exit press the 'RESET' button or wait 15 minutes.

6.16 SCREED HEATER FUNCTION (Sm)

The boiler is equipped with a function to perform the thermal shock on new radiant panel systems, as required by the applicable standard. Setting the upper and lower temperatures.

Contact the manufacturer of the radiant panels for the thermal shock characteristics and its execution.

To be able to activate the function there must be no remote control connected, while in case of system divided into zones it must be properly connected, both hydraulically and electrically.

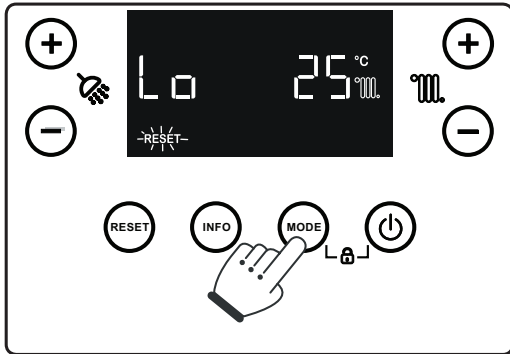



Fig. 6.14

Activation of the function will display the lower temperature set (default 25°C, range 20 - 45°C), which can be edited by pressing the 'MODE' button and using the CH () +/- buttons and finally confirmed by always pressing the 'MODE' button. The adjusted set flashes for 2 seconds after the last time a button was pressed.

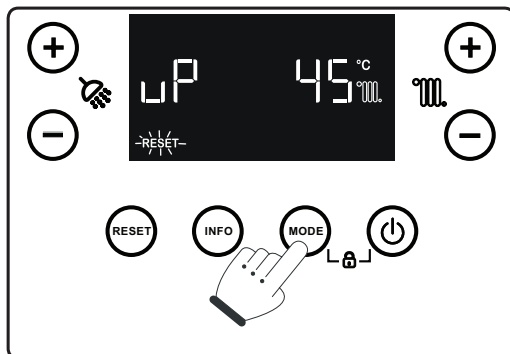


Fig. 6.15

After confirming the lower set point, the upper temperature set point is displayed (default 45°C, range 25 - 50°C), which can be edited in the same way. Confirmation by pressing the 'MODE' button will save the value and the Screed Heater function is activated.

If no button is pressed for 2 minutes during these temperature selections, the function is abandoned and the display goes back into Off mode.

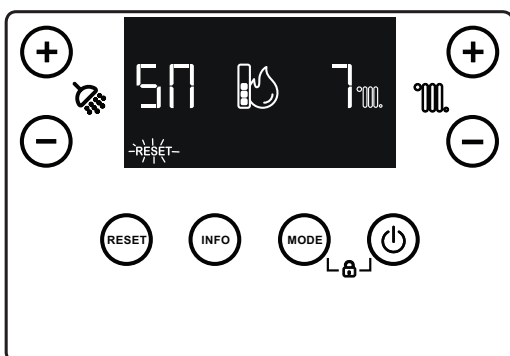


Fig. 6.16

The screen will now alternately display the countdown of days (short duration) and current flow temperature (long duration) simultaneously with the normal operating information (CH request, flame, fault symbols etc.).

Screed Heater Function - continued

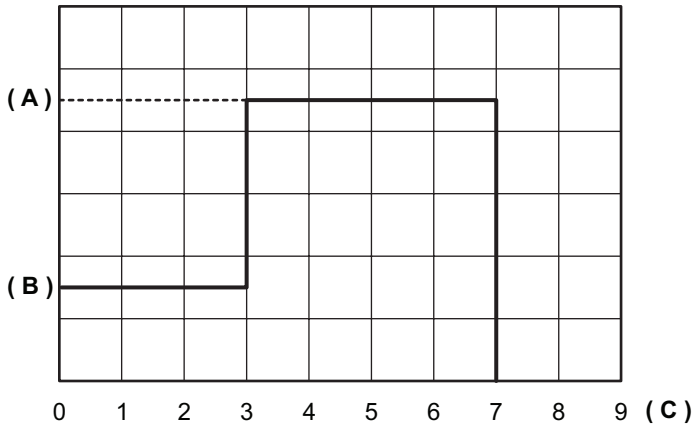
The Screed Heater function lasts for a total of 7 days, 3 days at the lower temperature set and 4 days at the higher temperature set (see Fig. 6.17).

After activating the function, the lower set (range 20 - 45°C, default = 25°C) and the higher set (range 25 - 55°C, default = 45°C) appear in sequence.

In case of failure or lack of supply voltage, the function is suspended and will resume when the normal operating conditions are reset from the point where it was interrupted.

When the time expires, the boiler automatically goes back to Off mode, the function can also be stopped by pressing the 'RESET' button.

TM (°C)



(A)..... Top set
 (B)..... Lower set
 (C)..... Days
 TM Flow temperature

Fig. 6.17

6.17 MAINTENANCE FUNCTION (MA)

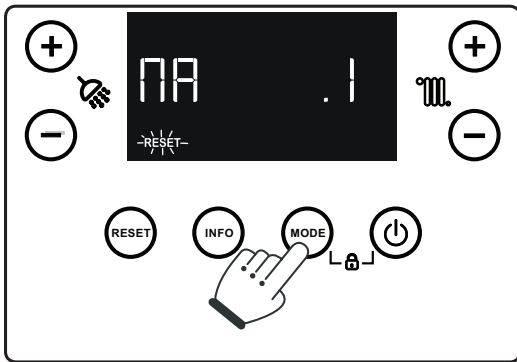


Fig. 6.18

The function can be activated from the Special Functions menu by selecting 'MA'.

Using this function, you can activate some operating devices of the boiler without starting it, thus verifying operation.

The function is active for 15 minutes and it can be stopped by pressing the 'RESET' button.

To enter the 'Maintenance' function, access the Special Functions as described in Section 6.15 and select the 'MA' function.

After entering the function, it is possible to scroll through the MA parameters list shown below by pressing the INFO buttons. Once selected the desired parameter, press MODE to enter and show its value. By pressing the CH () +/- buttons it is possible to change the value according to the table below. Then press MODE to confirm the new value. '88 88' will flash for 2 seconds, saving confirmation and the selected components will be activated or deactivated according to the value set.

| ID | Parameter | Description | Range |
|------|------------------------------------|---|----------|
| MA.0 | Permanent spark | 0 - Off 1 - Spark always On (without gas intake) | 0 - 1 |
| MA.1 | Permanent fan | 0 - Off >0 - Fan On (without gas intake) | 0 - 100% |
| MA.2 | Permanent pump | 0 - Off >0 - Pump On (without gas intake) | 0 - 100% |
| MA.3 | Diverter function | 0 - Off 1 - System position 2 - DHW position 3 - Intermediate position | 0 - 3 |
| MA.4 | Not used | - | - |
| MA.5 | Configurable relay forcing (5 - 6) | 0 - Off 1 - Energised relay | 0 - 1 |
| MA.6 | Relay 1 on optional relay board | 0 - Off 1 - Energised relay | 0 - 1 |
| MA.7 | Relay 2 on optional relay board | 0 - Off 1 - Energised relay | 0 - 1 |
| MA.8 | Relay 3 on optional relay board | 0 - Off 1 - Energised relay | 0 - 1 |

6.18 AUTOMATIC VENT FUNCTION (DI)

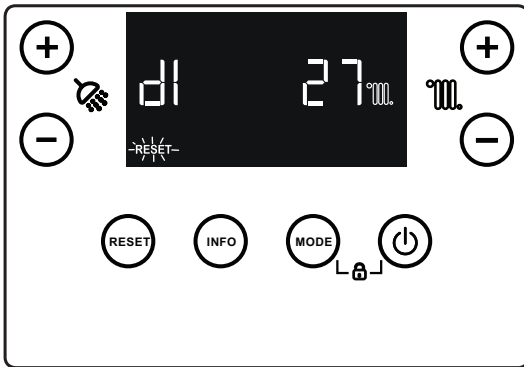


Fig. 6.19

In the case of new heating systems and especially for underfloor heating systems, it is very important that the air is properly vented. The function consists in the cyclical activation of the pump and of the diverter valve (in both DHW and CH positions).

As default, the function is activated automatically each time the boiler is powered up and it last for 10 minutes. This automatic activation can be disabled by setting parameter A.8 = 0.

The function can also be activated manually by entering the special functions as described in Section 6.15 and selecting 'dl'. In this case it has a duration of 16.5 hours.

Following activation, the indication 'dl' appears on the DHW digits and the value of the time remaining to the end of the function in tens of minutes on the heating digits.

The display of the 'radiator' or 'tap' symbols indicates whether the function is active in DHW or Heating mode.

At the end of the boiler function it automatically returns to the starting state.

The flashing 'RESET' symbol indicates that the function can be terminated early using the relevant key.

6.19 FLUE INSTALLATION FUNCTION (FU)

To activate the 'Flue' function, access the special functions as described in Section 6.15 and select the 'FU' function.

Before performing the test, ensure that the condensate drain trap has been filled correctly and check that there are no obstruction in the air intake and flue exhaust circuits and that the sealed chamber is perfectly closed and the flue system has already been installed.






Using this function activates the fan at a fixed speed (5500 rpm) for 15 minutes.

Once activated, the display shows 'FU' and the fan speed in rpm x 100. It is possible to exit the function by pressing the **RESET** button.

6.20 SOLAR PANELS COUPLING FUNCTION

The boiler is set up to receive pre-heated water from a system of solar panels up to a maximum temperature of 65°C. In any case, it is always necessary to install a mixing valve in the hydraulic circuit upstream of the boiler in the cold water inlet.

This function is activated when the parameter P.15 is set at "1" and the boiler detects a probe on the domestic hot water inlet (optional) or if the 'Solar ignition delay' parameter (t.3) is more than 0 seconds.

When there is a demand for hot water and the inlet water is hot enough or if there is 'Solar ignition delay' time, the boiler does not switch on, the domestic hot water symbol () appears on the display along with the flashing solar function symbol (). When the water supplied by the solar system is at a temperature lower than what is set, or if the 'Solar ignition delay' time has elapsed, the boiler switches on. At this point, the solar function symbol () remains permanently on.

For good functioning of the boiler, the temperature selected in the mixing valve must be 5°C greater with respect to the DHW temperature selected via the boiler control panel.



6.21 PUMP ANTI-BLOCK FUNCTION

The boiler has a function that starts up the pump at least once every 24 hours for 30 seconds in order to reduce the risk of the pump locking up due to prolonged inactivity.

This function can be deactivated via parameter 'P.8' with the boiler on Off/Standby-by.

6.22 THREE-WAY ANTI-BLOCK FUNCTION

Both in DHW and DHW + CH phase the boiler is equipped with a function that starts the three-way motorised group 24 hours after it was last in operation, running it for a full cycle so as to reduce the risk of the three-way group becoming blocked due to prolonged inactivity.

This function can be deactivated via parameter 'P.8' with the boiler on Off/Standby-by.

6.23 ANTIFREEZE FUNCTION

If the boiler sensors detect a temperature below 4°C, the boiler starts up until reaching 42°C.

This function can be deactivated via parameter 'P.8' with the boiler on Off/Standby-by.

7 ROUTINE SERVICING

To ensure efficient operation of the boiler it is recommended that it is checked and serviced as necessary at regular intervals. The frequency of servicing will depend upon the particular installation conditions and usage, but in general once per year is required as a minimum.

It is the law that any service work must be carried out by a competent person, i.e. Gas Safe registered engineer.

Appropriate personal protective equipment should be worn.

Warning: Before servicing the boiler, isolate the electrical supply and close the boiler gas service cock. Allow the boiler to cool.

Always test for gas tightness after servicing any gas carrying components.

Always carry out electrical system checks i.e. Earth Continuity, Resistance to Earth, Short Circuit and Polarity with a suitable meter before and after servicing.

General

Please Note: During routine servicing, and after any maintenance or change of part of the combustion circuit, the following must be checked:

1. The integrity of the flue system and the flue seals, as described in Section 5.6 and 5.7.
2. The integrity of the boiler combustion circuit and relevant seals.
3. The operational (working) gas inlet pressure at maximum rate.
4. The combustion performance, as described below and in Section 6.7.

Competence to carry out the check of combustion performance

Please Note: BS 6798:2009 Specification for installation and maintenance of gas-fired boilers of rated input not exceeding 70 kW net advises that:

1. The person carrying out a combustion measurement should have been assessed as competent in the use of a flue analyser and the interpretation of the results.
2. The flue gas analyser used should be one meeting the requirements of BS 7927 or BS-EN 50379-3 and be calibrated in accordance with the analyser manufacturers' requirements.
3. Competence can be demonstrated by satisfactory completion of the CPA1ACS assessment, which covers the use of electronic portable combustion gas analysers in accordance with BS 7967, Parts 1 to 4.

Combustion check

Connect the flue gas analyser to the flue gas sampling point as shown in Fig. 6.4.

Notes: 1. Prior to servicing, it is recommended that a flue gas analyser is used to measure the performance of the boiler (refer to Fig. 6.4 for the position of the flue sampling point). Refer to Section 6.7 Checking combustion. If the CO/CO₂ ratio measured is greater than 0.003 **or** when other checks or comments from the customer have indicated that there may be problems, check the following:

Any flue gas recirculation in the flue system or boiler casing.

Any restrictions or blockages in the flue system.

The gas supply pressure and gas rate are correct.

If these are correct then cleaning of the burner and checking the electrode will be necessary. All Sections 7.1, 7.2, 7.3, 7.4 and 7.5 **must** be carried out. After reassembling the boiler repeat the flue gas analyser test and check that the CO/CO₂ ratio is less than 0.003.

If the CO/CO₂ ratio reading is still above 0.003, check again for flue gas recirculation, flue restrictions or blockage and insufficient gas supply pressure. If correct, repeat the procedure above until you obtain a ratio reading of below 0.004.

If the combustion reading is greater than the acceptable value AND the integrity of the complete flue system and combustion circuit seals have been verified and the inlet gas pressure (and gas rate) have been verified. Please call our Technical Helpline.

2. If the CO/CO₂ ratio measured is less than 0.003 and other checks and comments from the customer suggest there are no problems then only Section 7.1 and Section 7.3 paragraphs 1, 2 and 3 need to be carried out to allow a visual check of the components within the room sealed chamber.

Note: For any maintenance operation not shown, contact Alpha Innovation Helpline.



7.1 IMPORTANT NOTES PRIOR TO SERVICING

1. Check the entire flue length and joints including the flue terminal outside. Ensure that all of the flue assembly has been installed correctly and there are no blockages.
2. Run the boiler and check the operation of its controls.
3. Ensure that all system connections and fittings are sound. Remake any joints and check the tightness of any fittings that may be leaking.

4. Refill, vent and re-pressurise the system as necessary. (Refer to Commissioning, Section 6.1).
If the system pressure exceeds 2.5 bar when operating at maximum temperature, the heating expansion vessel should be checked and re-pressurised, if necessary.
- Note:**
1. Check the expansion vessel charge only when the system pressure is zero.
 2. The expansion vessel pressure test point is accessible from on top at the top left side.
5. Check that the condensate trap drain pipe is connected and all joints are sound.
 6. Record details of the service in the Service Record at the back of these instructions.

7.2 CASING REMOVAL - Figs. 7.1, 7.2, 7.3 and 7.4

To facilitate boiler servicing and maintenance the casing can be completely removed as follows:

Bottom cover - Fig. 7.1

1. Remove the two screws 'A'.
2. Press the retaining hooks 'B' of the bottom cover inward.
3. Remove the bottom cover 'B'.

Case front panel - Fig. 7.2

4. Remove the two screws 'C'.
5. Pull the front panel 'D' slightly towards you.
6. Release the front panel 'D' from pins 'E' pulling it towards you while pushing it upwards at the same time.

When reassembling the front cover, push it against the boiler with the flap closed, then open the flap to snap it around the keypad.

It is important the flap is closed otherwise the hinge springs scrape against its housing in the control panel.

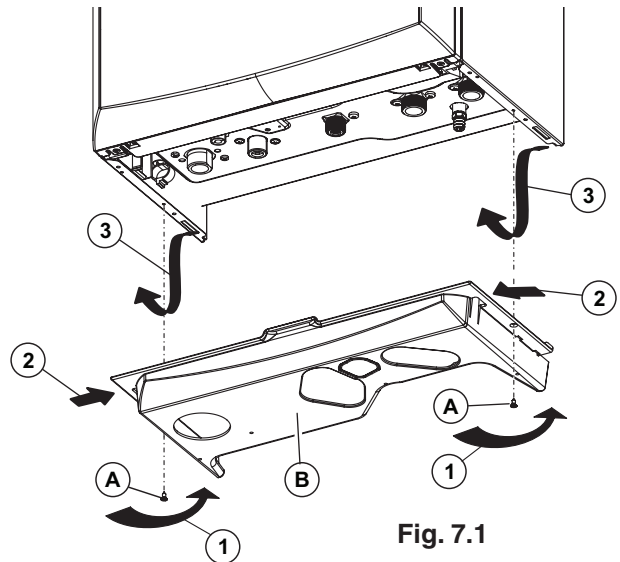


Fig. 7.1

Combustion panel - Fig. 7.3

7. Remove the two screws at the bottom of sides of the panel 'F'.
8. Pull the panel 'G' slightly towards you.
9. Release the panel 'G' from the pins 'H' pulling it towards you while pushing it upwards.

Take care not to damage the insulation on the back of the panel as this forms part of the casing room seal.

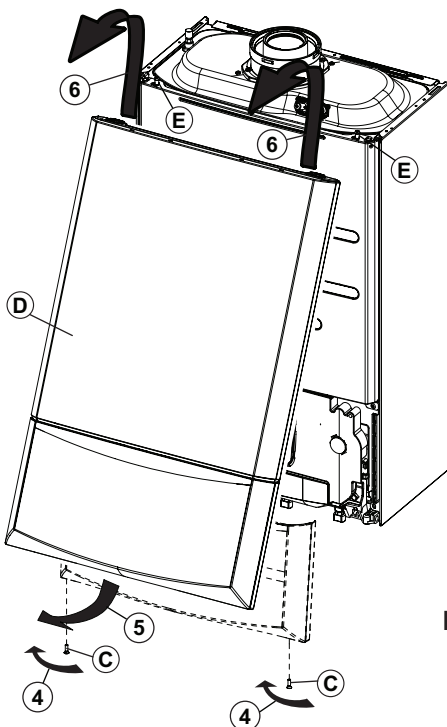


Fig. 7.2

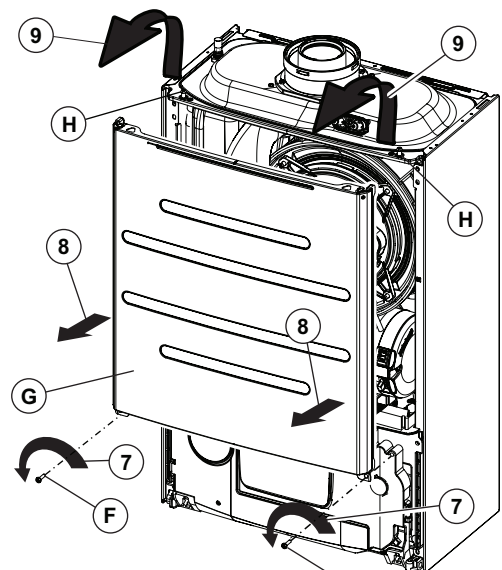


Fig. 7.3

Control panel - Fig. 7.4

10. Press the hooks on the side of the control panel 'I'.
11. Tilt the control panel 'I' towards you.

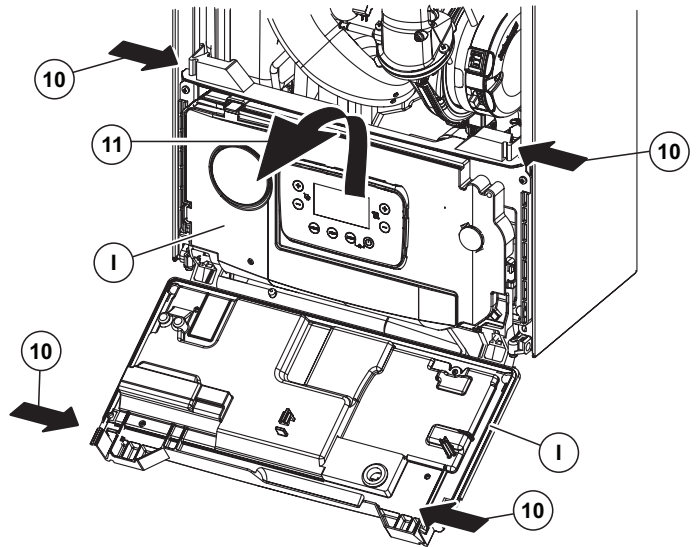


Fig. 7.4

Side panels - Fig. 7.5

12. Remove the screws 'K' securing the side panel 'J'.
13. Lift the side panel and pull it forwards unhooking it from the rear panel (view 'A' in Fig. 7.5) Lower the panel out and away from the top cover.

Note: The side panels require no sealing strip as the front case insulation forms the room seal.

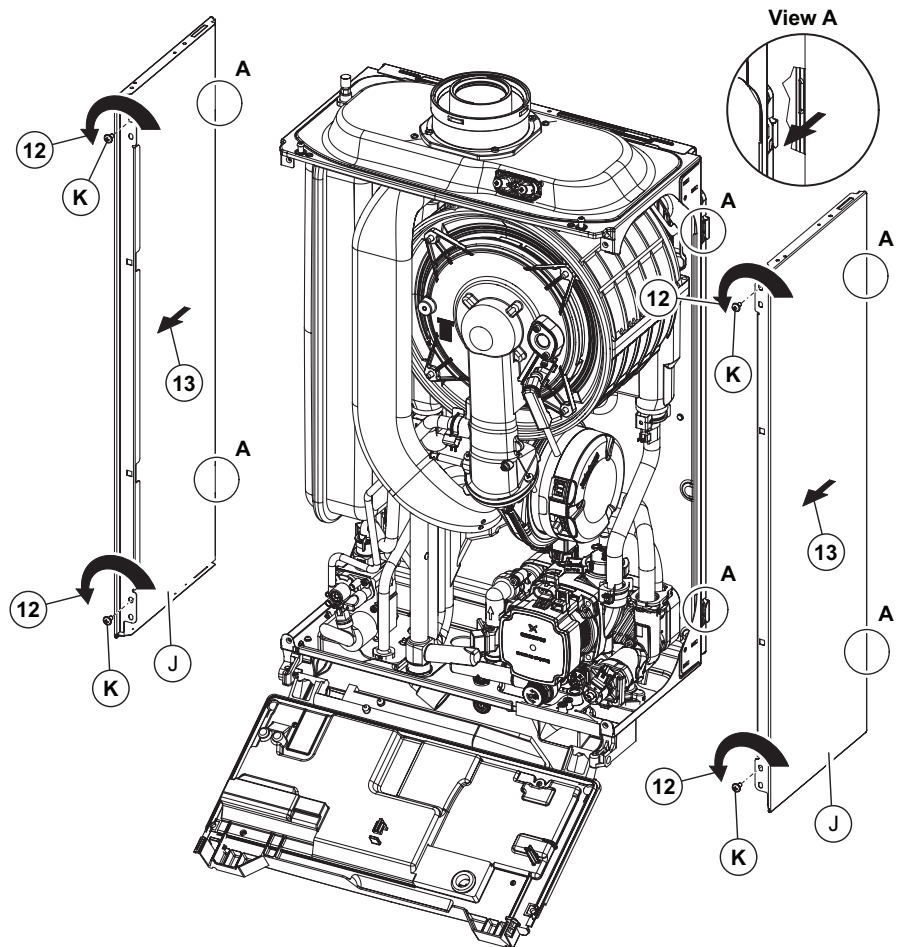


Fig. 7.5

7.3 PREPARE FOR SERVICING - Fig. 7.5

The operations described below must be performed after isolating the electricity supply to the appliance.



1. Ensure the electrical supply is isolated and the gas supply is off.
2. Gain access by removing the front case and combustion panel. Lower the control panel as described in Section 7.2.
3. Remove the condensate trap assembly and clean as described in Section 8.11.
4. Remove the single screw securing the top of the air supply pipe and withdraw it from the fan connection.
5. Pull off the ignition lead from the electrode.
6. Remove the upper and lower spring clips from the gas supply pipe.
7. Remove the gas valve pressure tube from the fan inlet
8. Disconnect the fan wiring connector.
9. Remove the four 10 mm nuts securing the combustion chamber front assembly. See Fig. 7.8.
10. Withdraw the complete burner/fan/air inlet assembly towards you to avoid damaging the insulation.

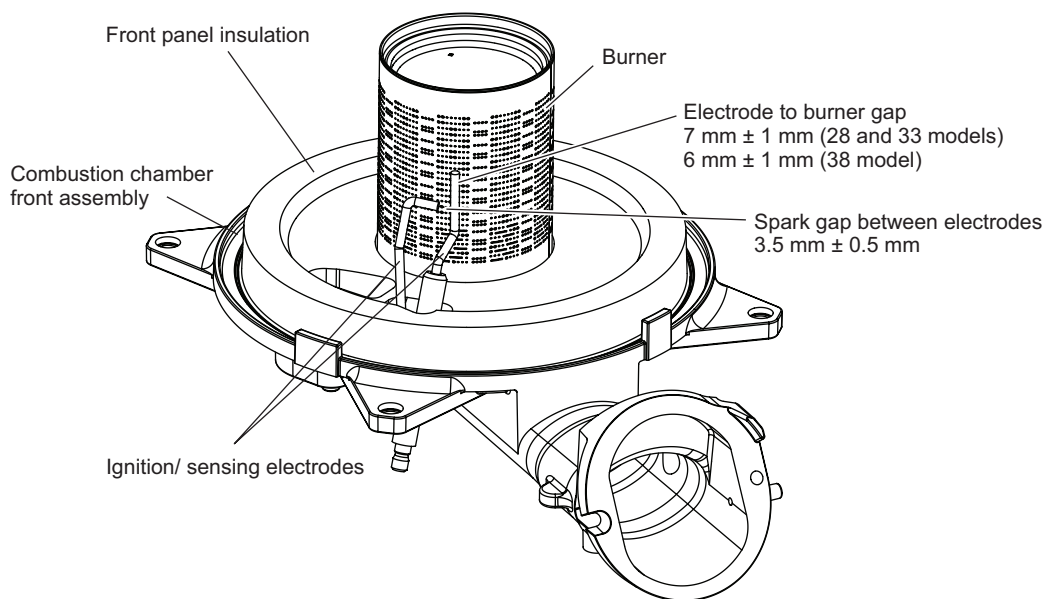


Fig. 7.6

7.4 CLEANING THE ELECTRODES, BURNER AND FAN

1. Check the condition of the burner. Clean carefully using a vacuum or compressed air.
2. Check the condition and gap of the electrodes.
If they are in good condition, remove any oxide deposits using a fine abrasive paper.
If it is necessary to replace the electrode assembly, ensure a new gasket is used.
3. Check that the fan is clean and rotates freely. Carefully clean the impellor with a soft bristle brush if necessary

7.5 CLEANING THE HEAT EXCHANGER (with the condensate trap in place)

1. Remove any deposits from the heat exchanger coils using a suitable non metallic soft brush, then a vacuum cleaner or water sprayed onto the coils. Ensure all electrical components are protected from water (if used). Any water used to clean the heat exchanger will drain to the condensate trap.
2. Check the condition of the combustion chamber insulation panels. Any damaged panels must be replaced.
3. Check the condition of the burner injector in the gas valve outlet, carefully clean with a soft brush if necessary - Do not use a brush with metallic bristles as this might damage the injector. Unscrew and replace the injector should it appear damaged.

7.6 REPLACING MANIFOLD SEALS - FIG. 7.7

1. Remove the burner as described in Section 7.3.
2. Remove the old seals.
3. Place the module gasket (1) centrally on the edge of the condensation module flange (2).
4. Make sure that the gasket tab with the number 4 printed on it is positioned in its seat on the module flange, identified by the number 4.

Every time the manifold is opened, the condition and integrity of the ceramic fibres must be verified and replaced, if necessary. The manifold gasket must be replaced every 2 years. After replacing the external silicone gasket, it is mandatory to check there is zero spillage.

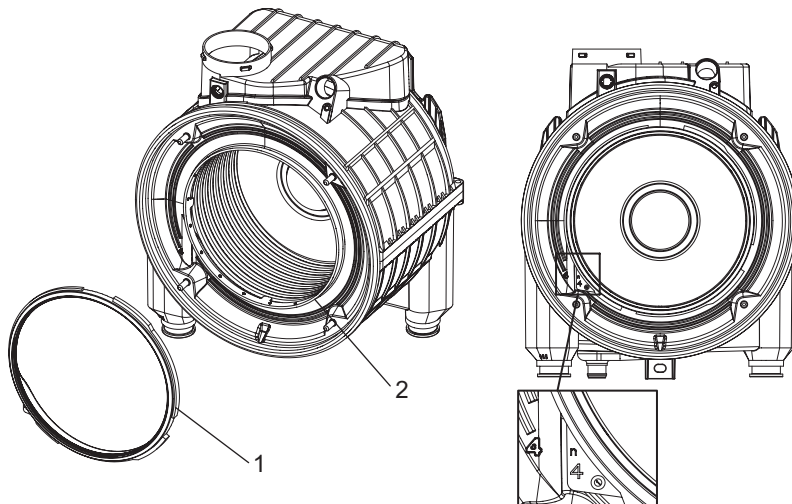


Fig. 7.7

7.7 RE-ASSEMBLE THE BOILER

1. **Important:** Before replacing the combustion chamber front assembly, pour at least 200 cc of water into the coils of the heat exchanger. This is to ensure the condensate trap is full of water before operating the boiler.
2. Replace the combustion chamber front assembly, item 2 in Fig. 7.8, to the condensation module, item (3) in Fig. 7.8, ensuring it is correctly located and secure with the four 10 mm nuts previously removed. Tighten the nuts in the sequence A, B, C, D as shown in Fig. 7.8. The tightening torque when assembling the manifold (2) on to the heat exchanger (3) must be 4 Nm. **Do not exceed 5 Nm.**
3. Ensure the injector is in position in the gas valve outlet and re-connect the gas pipe securing it in position with the spring clips previously removed.
4. Reconnect the fan wiring plug and air pressure tube, checking the red pressure signal vent fitting item 6 in Fig. 7.9 is still present and properly connected.
5. Insert the air inlet pipe into the fan and re-fit the screw securing top of the pipe.
6. Re-fit the ignition lead to the electrode.
7. Check all the connections are sound and re-commission, Sections 6.3 and 6.8.
8. Raise the control panel and clip into place.
9. Check that the insulation on the back of the combustion panel is intact and in position (it also acts as a case seal), then place the panel in position over the top pins and secure with the two screws previously removed (Fig. 7.3).
10. Refit the case front panel in position over the top pins and push it back against the side panels, then press around the button/display area to snap the cover to the control panel and secure in position with the two screws (Fig. 7.2).
11. Relace the bottom cover (Fig. 7.1).
12. Check the operation of the boiler. (Refer to Sections 6.6 and 6.7).
13. Return all controls to their original settings.

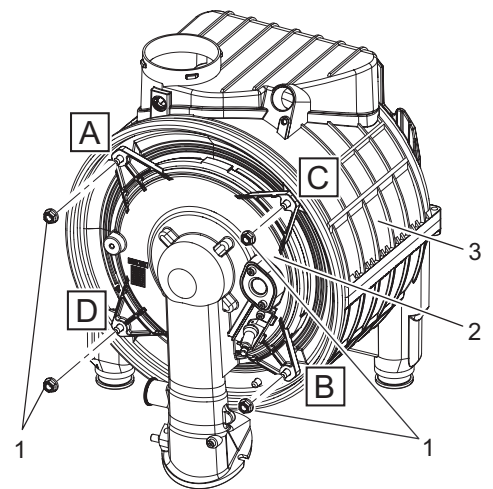
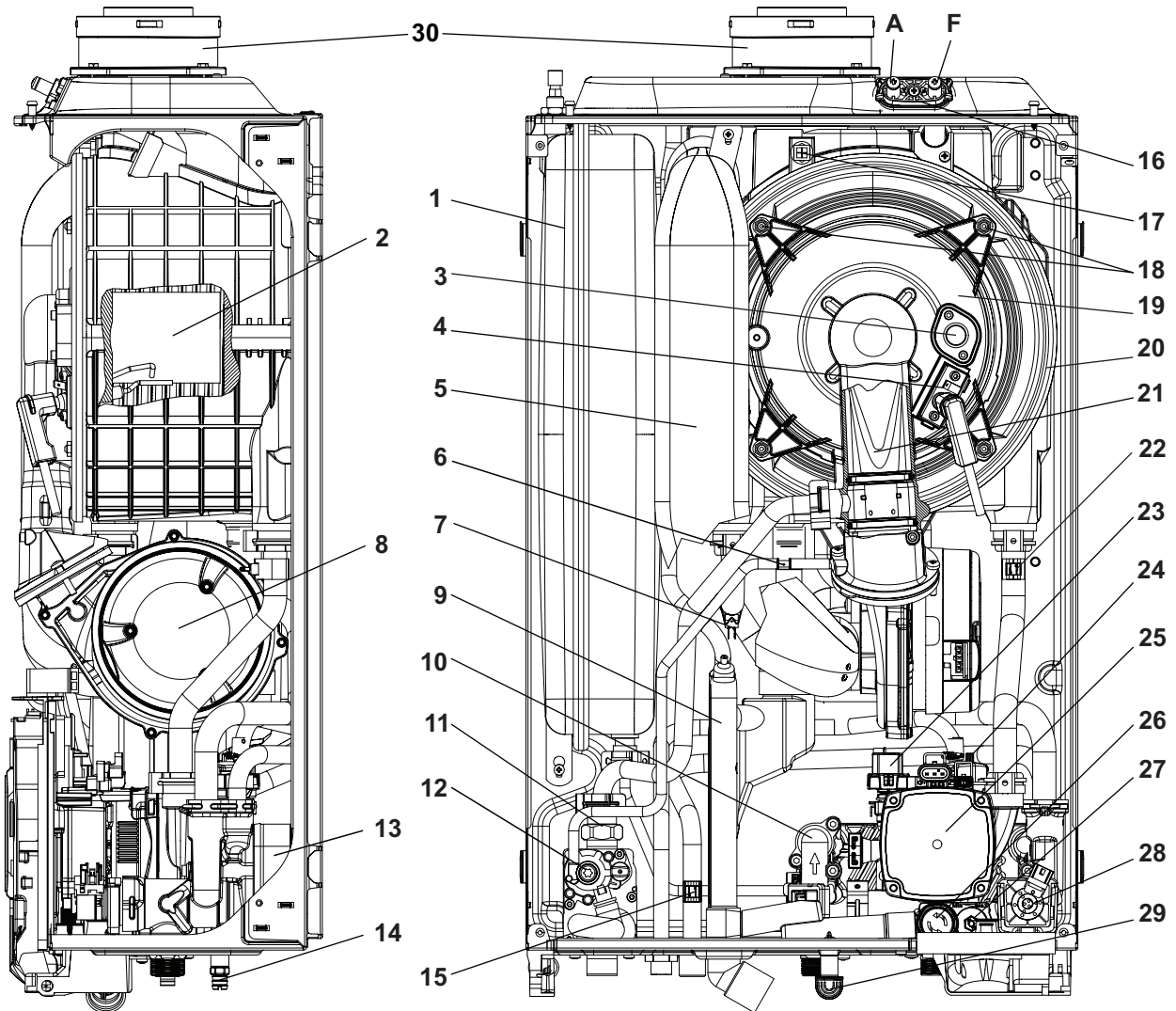


Fig. 7.8

7.8 LOCATION OF BOILER COMPONENTS



- | | | | |
|----|---------------------------------|----|-----------------------------------|
| 1 | Expansion vessel | 16 | Test points (air A, flue F) |
| 2 | Burner | 17 | Flue temperature sensor |
| 3 | Viewing window | 18 | Four fixing nuts for item 18 |
| 4 | Ignition/sensing electrodes | 19 | Combustion chamber front assembly |
| 5 | Air supply pipe | 20 | Primary heat exchanger |
| 6 | Pressure signal vent fitting | 21 | Venturi |
| 7 | Primary flow temperature sensor | 22 | Primary return temperature sensor |
| 8 | Fan | 23 | Primary pressure sensor |
| 9 | Condensate trap | 24 | Automatic air vent |
| 10 | DHW flow switch | 25 | Boiler pump |
| 11 | Gas injector | 26 | 3 bar safety valve |
| 12 | Gas valve | 27 | By-pass |
| 13 | DHW heat exchanger | 28 | Diverter valve |
| 14 | Boiler drain point | 29 | Safety valve operation indicator |
| 15 | DHW temperature sensor | 30 | Flue turret |

Fig. 7.9

8 COMPONENT REPLACEMENT

It is the law that any service work must be carried out by a competent person, i.e. Gas Safe registered boiler engineer.

Warning: Before replacing any boiler components, isolate the electrical supply and close the boiler gas service cock. Allow the boiler to cool.

Always test for gas tightness before and after replacing any gas carrying components or disturbing any gas connections.

Always carry out electrical system checks i.e. Earth Continuity, Resistance to Earth, Short Circuit and Polarity with a suitable meter after servicing.

Check the operation of the boiler. (Refer to Sections 6.5 and 6.6).

Ensure that all the controls are returned to their original settings.



8.1 GENERAL ACCESS

Ensure the electrical supply is isolated and the gas supply is off.

Gain access by removing the control panel cover, case front panel and lowering the control panel as described in Section 7.2.

8.2 DRAINING THE BOILER - Fig. 5.4

Isolate the electricity supply and close the boiler gas service cock, see Fig. 5.4. Allow the boiler to cool.

Heating circuit

1. Close the central heating flow and return valves, see Fig. 5.4.
2. Connect a suitable pipe to the drain point, see Figs. 5.4 and 7.6 and route it to a suitable container. Open the drain point.

Hot water circuit

1. Close the mains water inlet valve, see Fig. 5.4.
2. Open all hot taps to allow as much draining of the boiler as possible.

Note: Some water will remain in the components and care must be taken when removing them.

8.3 IGNITION AND SENSING ELECTRODE - Fig. 7.6

Gain access as described in Section 8.1.

1. Pull off the ignition lead from the electrode.
2. Remove the cap screws securing the electrode to the front of the combustion chamber using a 3 mm allen key and carefully withdraw the electrode.
3. Fit the new electrode assembly with a new gasket and re-assemble in reverse order.
4. Test the boiler, check the ignition and test the combustion as described in Section 7.

8.4 MAIN BURNER

1. Remove the complete burner/fan/air inlet assembly as described in Routine Servicing, Section 7.3.
2. Remove the electrode and the front combustion chamber insulating panel as described in Section 8.24.
3. Fit the new burner (with a new gasket).
4. Re-assemble the insulating panel and electrode as described in Section 8.24.
5. Re-assemble the complete burner/fan air inlet assembly as described in Routine Servicing, Section 7.7.
6. Test the boiler, check the ignition and test the combustion as described in Section 7.

8.5 FAN - Fig. 7.9

Gain access as described in Section 8.1.

1. Remove the single screw securing the top of the air supply pipe and withdraw it from the fan connection.
2. Remove the wiring connector from the fan, support the fan and remove the two screws securing the fan to the air inlet.
3. Withdraw the fan assembly forwards.
4. Re-assemble in reverse order.
5. Test the boiler, check the ignition and test the combustion as described in Section 7.

8.6 FLUE TEMPERATURE SENSOR - Fig. 7.9

Gain access as described in Section 8.1.

1. Unplug the wire from the flue sensor.
2. Using a 13 mm spanner, turn the sensor 90° anti-clockwise and withdraw it from the heat exchanger.
3. Fit the new sensor and re-assemble in reverse order.

8.7 FUSE - Fig. 8.1

The fuse is located on the PCB.

1. Gain access to the rear of the control box as described in Section 8.8.
2. Remove the three screws securing the PCB cover and remove cover.
3. Lift out and remove the fuse. Fit a 3.15 AF 250 V (20 mm x 5 mm) fuse as a replacement. Check the spare fuse has the correct value before installing it..
4. Re-assemble in reverse order.

8.8 PCB - Fig. 8.1

Note: The replacement of the gas valve or PCB must be carried out by a Gas Safe registered engineer with the use of a flue analyser.

Gain access as described in Section 8.1.

1. Release the grommet and unplug the lead from the PCB.
2. Remove the four screws securing the PCB cover and remove cover.
3. Remove the PCB retaining screws.
4. Lift the PCB from the control panel and note the connections before unplugging the wire connections.
5. Re-assemble in reverse order. Refer to the wiring diagram in Section 9.1 for connections. When replacing the PCB cover, ensure no wires are trapped and all wiring is secured. Secure cover with four screws - do not over tighten
6. Transfer the PCB memory chip or set the correct parameters for the correct boiler model as described in Section 6.13.
7. Test the boiler.

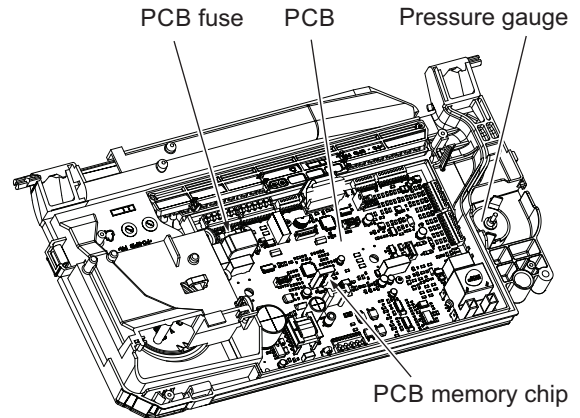


Fig. 8.1

8.9 GAS VALVE

Note: The replacement of the gas valve or PCB must be carried out by a Gas Safe registered engineer with the use of a flue analyser.

Isolate the boiler gas supply and gain access as described in Section 8.1.

1. Disconnect the electrical plug from the gas valve.
2. Remove the gas pipe retaining clip and remove the pipe.
3. Disconnect the gas valve union beneath the boiler.
4. Remove the two screws from beneath the boiler, disconnect the gas valve pressure tube and lift out the valve assembly.
5. Unscrew the brass union from the top of the gas valve and transfer it to the new gas valve using a new washer.
6. Fit the new assembly and re-assemble in reverse order and test for gas tightness.
7. Light the boiler. (Refer to Commissioning, Section 6.4).
8. Test the boiler, check the ignition and test the combustion as described in Section 6.

8.10 DHW TEMPERATURE SENSOR - Fig. 8.2

Gain access as described in Section 8.1.

1. Unplug the wiring and unclip the sensor from the DHW outlet pipe as required.
2. Re-assemble in reverse order with a new sensor ensuring a good contact between the pipe and sensor.

8.11 CONDENSATE TRAP - Figs. 7.9 and 8.2

Gain access as described in Section 8.1.

Note: Before removing the trap, ensure that the water from the trap can be contained to avoid spillage.

1. Pull the flue drain hose off the top of the condensate trap and pull the rubber condensate hose adapter out of the bottom of the boiler. The cable tie is used for production and can be discarded.
2. Remove the trap fixing screw from the bottom of the boiler and turn the trap to the left to disconnect it from the expansion valve outlet pipe.
3. Lift out the trap being careful not to spill any condense water, remove the trap from the boiler.
4. It is important to clean the trap every time the trap is removed to flush out any deposits from the collection bowl.

Note: Partially fill the trap before replacing.

8.12 DHW FLOW SWITCH - Fig. 8.2

1. Gain access behind the front casing as described in Section 8.1.
2. Isolate the mains water supply and open all hot taps to drain any water from the boiler.
3. Disconnect the wires from the switch.
4. Below the boiler undo the mains cold water inlet connection union nut and remove the fixing screw from the bottom of the switch.
5. Remove the two 4 mm cap head screws securing the top of the switch and lift upwards to remove.
6. Fit the new switch and re-assemble in reverse order.
7. Visually inspect for leakage after reconnecting the mains cold water supply.

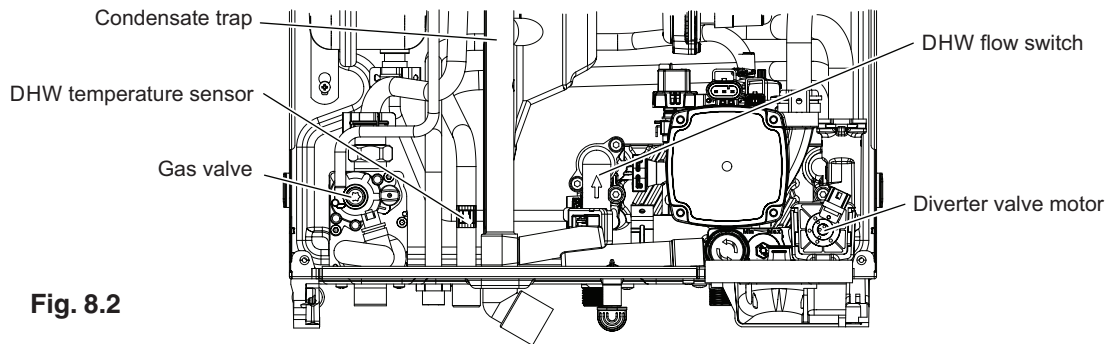


Fig. 8.2

8.13 PRIMARY HEAT EXCHANGER - Fig. 7.9

Gain access and drain the boiler heating circuit as described in Sections 8.1 and 8.2.

1. Remove the condensate trap assembly as described in Section 8.11.
2. Remove the burner/fan/air inlet assembly as described in Section 7.3.
3. Unplug the connection from the flue temperature sensor and remove the sensor as described in Section 8.6.
4. Disconnect the condensate drain pipe by pulling its rubber connector from the heat exchanger.
5. Unscrew the flue sampling point cap and remove the complete fitting from the top of the case.
6. Disconnect the flue sensor wires and remove the lower retaining screw on the bottom of the heat exchanger..
7. Remove the heating flow and return pipe retaining clips from the primary heat exchanger and pull the pipes downwards from the heat exchanger connections.
8. Lift the heat exchanger upwards and forwards to disconnect it from the bottom bracket and withdraw it from the boiler.
9. Refit the flue temperature sensor.
10. Reassemble in reverse order using the lubricant supplied with the heat exchanger kit.
Note: Lubricating the seals with soap and water will aid assembly.
11. Refill boiler, pressurise the system and visually inspect for leaks.
12. Test the boiler, check the ignition and test the combustion as described in Section 7.

8.14 PRESSURE GAUGE - Fig. 8.1

Gain access and drain the heating circuit as described in Sections 8.1 and 8.2.

1. Carefully open the retaining hook on the control panel and push the pressure gauge out of it.
2. Withdraw the retaining clip securing the pressure gauge sensor (just to the left of the automatic air vent) and withdraw the sensor.
Note: This is a direct sensor, ensure all electrical components are protected from water escape.
3. Mark the path of the sensor tube around the main wiring.
4. Remove the main cable grommet in the bottom panel and remove the sensor tube.
5. Fit the new gauge sensor using a new 'O' ring on the connection if necessary. Repeat the same path around main wiring of the sensor tube removed to prevent cracking.
6. Reassemble in reverse order.
7. Refill and pressurise the system. (Refer to Commissioning, Section 6.1).

8.15 PRIMARY TEMPERATURE SENSORS - Fig. 7.9

Gain access to the boiler as described in Section 8.1.

1. Unplug the wiring and unclip the sensor from the flow or return pipe as required. Re-assemble in reverse order with a new sensor onto the conductive paste ensuring good contact between the pipe and sensor.

8.16 AUTOMATIC AIR VENT - Fig. 7.9

Gain access and drain the boiler heating circuit as described in Sections 8.1 and 8.2.

1. Unclip and remove the silicon tube from the automatic air vent discharge connection.
2. Turn the automatic air vent anticlockwise and lift it out.
3. Insert the new air vent and turn it clockwise to lock it in position.
4. Reassemble the silicone tube and clip.
5. Refill and pressurise the system. (Refer to Commissioning, Section 6.1).

8.17 PUMP HEAD - Fig. 7.9

Gain access and drain the boiler heating circuit as described in Sections 8.1 and 8.2.

1. Disconnect the two wiring connectors from the pump.
2. Using a 4 mm Allen key remove the four socket head screws securing the pump head to the body.
3. Reassemble the new pump head in reverse order, re-connecting the two wiring connectors.
4. Refill and pressurise the system. (Refer to Commissioning, Section 6.1).

8.18 PRIMARY PRESSURE SWITCH - Fig. 7.9

Gain access and drain the boiler heating circuit as described in Sections 8.1 and 8.2.

1. Disconnect the wiring from the pressure switch.
2. Withdraw the retaining clip on the left side of the switch and lift the switch upwards to remove.
Note: This is a direct component, ensure all electrical components are protected from water escape.
3. Insert a new switch and re-assemble in reverse order.
Note: When connecting the wiring to the new switch the polarity of the wires is not important.

8.19 SAFETY VALVE - Fig. 7.9

Gain access and drain the boiler heating circuit as described in Sections 8.1 and 8.2.

1. Disconnect the clear plastic tube from the pressure relief valve.
2. Remove the retaining clip securing the expansion relief valve and pull the valve forwards to remove.
3. Re-assemble in reverse order.
4. Refill and pressurise the system. (Refer to Commissioning, Section 6.1).

8.20 DHW HEAT EXCHANGER - Fig. 7.9

Gain access and drain the boiler heating and hot water circuits as described in Sections 8.1 and 8.2.

1. Remove condensate trap as in Section 8.11.
2. Using a 4 mm Allen key remove the two bolts securing the Plate heat exchanger to the hydro block assembly.
3. Slide the heat exchanger to the left hand corner of the boiler and rotate it forwards from its right hand side through the centre of the boiler to remove.
4. Remove and replace the seals in the back of the hydro block housing.
5. Replace in reverse order making sure that the printed writing on the heat exchanger is at the top.
6. Refill and pressurise the system. (Refer to Commissioning, Section 6.1)

8.21 DIVERTER VALVE MOTOR - Fig. 8.2

Switch the boiler to Off/Standby (⏻).

Gain access as described in Section 8.1.

1. Push the clip on the plug and pull the plug from the diverter motor.
2. Lift the motor upwards and forwards to remove from the valve body.
3. Test the boiler in heating and hot water mode to ensure the motor is correctly engaged with the diverter valve spindle.

8.22 DIVERTER VALVE CARTRIDGE - Fig. 8.2

Gain access and drain the boiler heating circuit as described in Sections 8.1 and 8.2.

1. Remove the diverter valve motor as described in Section 8.21.
2. Using the supplied tool and a suitable spanner turn the diverter valve cartridge anticlockwise until its retaining lugs hit the stops.
3. Withdraw the cartridge taking care not to spill any water onto any electrical components.
4. Insert the new cartridge with the locating lug at the top and push firmly into place. Using the supplied tool and a suitable spanner turn the cartridge clockwise until the retaining lugs are locked into position.
5. Pull the diverter pin fully out into the CH position and connect the diverter motor as in Section 8.21.
6. Test the boiler in heating and hot water mode to ensure the motor is correctly engaged with the diverter valve spindle.

8.23 EXPANSION VESSEL - Fig. 7.9

Note: Check that the pressure of the new vessel is 1 bar before it is installed.

Gain access and drain the boiler heating circuit as described in Sections 8.1 and 8.2.

1. Remove the top side panel fixing screw.
2. Disconnect the copper pipe from the bottom of the vessel.
3. Remove the top fixing nut from the air valve.
4. Remove the bottom fixing screw and withdraw the vessel taking care not to spill any water into other boiler components.
5. Re-assemble in reverse order.
6. Refill and pressurise the system. (Refer to Commissioning, Section 6.1).

8.24 COMBUSTION CHAMBER INSULATION

1. Remove the complete burner/fan/air inlet assembly as described in Routine Servicing, Section 7.3.
2. Remove the electrode assembly as described in Section 8.3.
3. Carefully prise off the insulation panel with a suitable blade.
4. Carefully remove any adhesive left on the alluminum gas manifold (burner door).
5. **For Plus 28NX, 33NX** - The replacement insulation panel does not require any adhesive as its shape provides a good seal on the front panel.
For Plus 38NX - Apply the silicone on the front panel in the same positions where previously removed. Fit the new insulation and keep it pressed for 10-15 seconds.
6. Re-assemble in reverse order, replacing the electrode with a new gasket.
7. Test the boiler, check the ignition and test the combustion as described in Section 7.

8.25 REAR COMBUSTION CHAMBER INSULATION

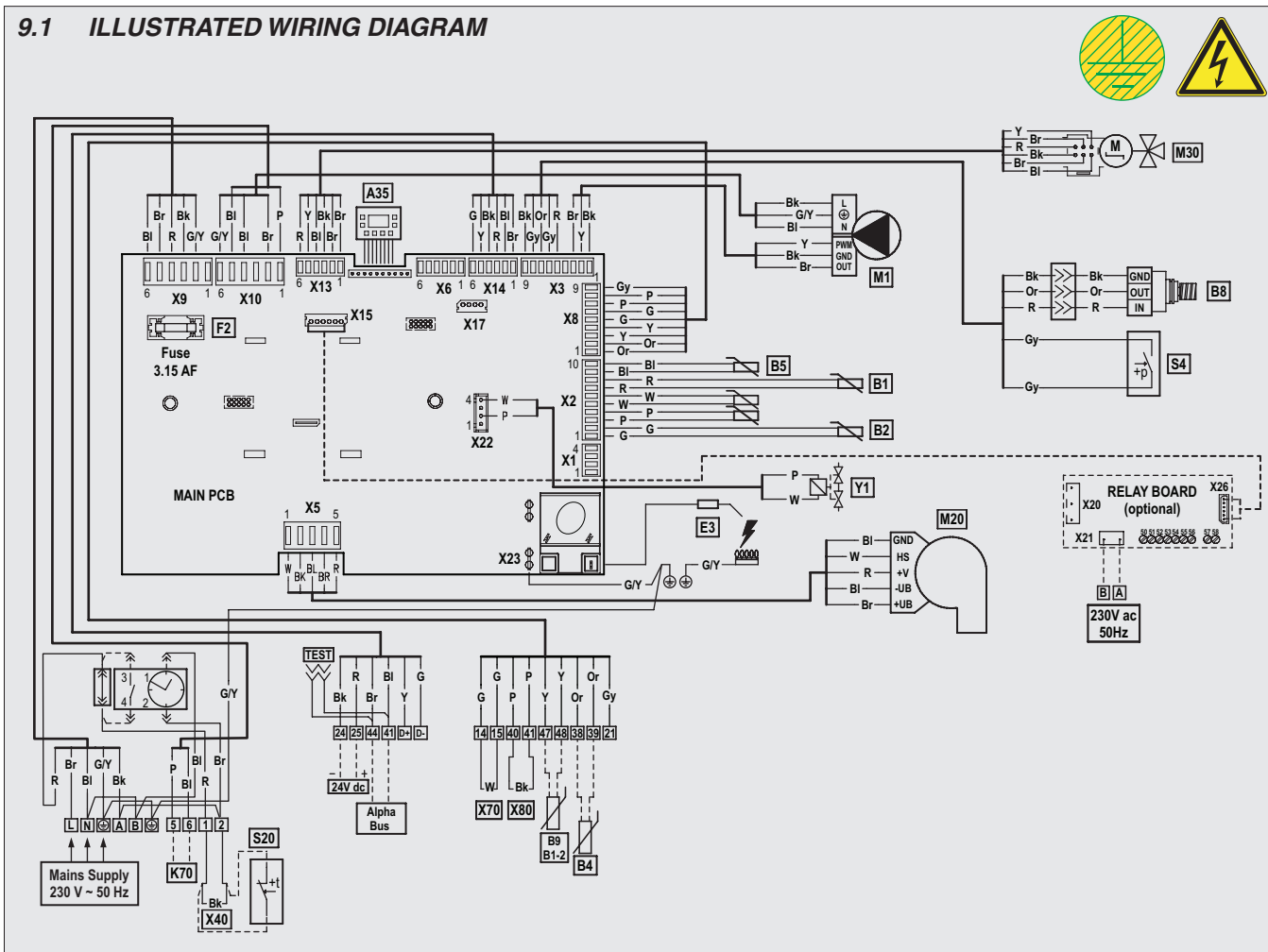
1. Remove the complete burner/fan/air inlet assembly as described in Routine Servicing, Section 7.3.
2. Remove the insulation by using a screwdriver until you uncover the clip in the centre of the panel and pull out the panel.
3. Clear any dust residue with a vacuum cleaner.
4. Remove the clip with a pair of pliers.
5. Remove the silicone with a cutter from the rear of the heat exchanger and clear any dust residue with a vacuum cleaner.
6. Check the integrity of the stud in the rear of the heat exchanger.
7. Apply the silicone in a circle with a diameter of 125mm.
8. Remove the film from new panel and insert it in the combustion chamber: it is advisable to keep it slightly inclined during the introduction to avoid damage.
9. Press the centre of the insulation with a punch until the clip has become stuck in the stud and keep the panel pressed for 10-15 seconds.
10. Re-assemble in reverse order referring to Routine Servicing, Section 7.5.
11. Test the boiler, check the ignition and test the combustion as described in Section 7.

8.26 ALPHA CONTROLS (if fitted)

Refer to section 5.11 on the connection options for boiler controls.

9 WIRING DIAGRAM

9.1 ILLUSTRATED WIRING DIAGRAM



Colour Code

- Bk Black
- Bl Blue
- Br Brown
- G Green
- Gy Grey
- G/Y Green/Yellow
- Or Orange
- P Purple
- R Red
- W White
- Y Yellow

Component identification

- A35 Control panel
- Alpha bus Climatic (optional) or Smartech Plus (optional) or OT remote control (optional). Remove link between 1 and 2 if used
- B1 Flow sensor
- B1 -2 System flow sensor (optional)
- B2 DHW sensor
- B4 External sensor (optional)
- B5 Return sensor
- B8 Pressure sensor
- B9 DHW inlet sensor (optional)
- B27 Double flue sensor
- E3 Ignition and detection electrode
- K70 Configurable relays
- M1 Boiler pump
- M20 Fan
- M30 3 - way stepper motor
- S20 Room thermostat (optional)
- S4 DHW flow switch
- X40 Room thermostat link
- X70 Safety thermostat low temperature link - configurable input 2
- X80 Configurable input 1 link
- Y1 Gas valve

10 ERROR CODES AND FAULT FINDING

10.1 CARRY OUT INITIAL FAULT FINDING CHECKS



In the event of a suspected functional fault with the boiler, carry out initial fault finding checks to establish the cause.

1. Check the correct gas, electrical and water supplies are available at the boiler.
2. Check the boiler system pressure is in the green area when cold.
3. Check that any boiler controls fitted are working and in an 'ON' position.
4. Carry out electrical supply and connection checks and check all fuses.

Where an error code is displayed use the following tables to identify the fault and possible causes.

10.2 ERROR CODES AND FAULT FINDING

If any fault or anomaly persists, contact Alpha Heating Innovation Technical Helpline.

The history of errors can be viewed in the 'INFO' menu - d.9.

| Error code | Fault | Cause | Boiler status/Solution |
|------------|---------------------------------------|---|--|
| 01 | Ignition failure | In the event of a demand for CH or DHW the boiler does not switch on within the preset time. Upon boiler commissioning or after an extended shut down the may go to 'lock out' | Press the 'RESET' button (1) |
| 02 | Overheat boiler lock out | Overheat sensor has activated | Press the 'RESET' button (1) |
| 03 | High flue temperature | Flue sensor intervention (flue temperature too high) | Press the 'RESET' button (1) |
| 04 | Gas valve electrical connection fault | The PCB detects a fault on the gas valve supply. Check its connection. (The fault is detected and displayed only in the presence of a request). Upon confirming that the fault does not concern the gas valve, you must replace the PCB if the fault does not disappear after pressing the Reset button | Press the 'RESET' button (1) |
| 05 | CH flow sensor fault | The board detects an anomaly on the NTC flow sensor. Safety thermostat triggered | The boiler does not start (1) Press the 'RESET' button (1) |
| 06 | DHW sensor fault | The board detects an anomaly on the DHW NTC sensor. In this case the antifreeze function is also inhibited | In this case the boiler continues to supply DHW but not with optimal performance (1) |
| 07 | Chimney sweep function | The boiler is in chimney sweep or calibration operation | (3) |
| 08 | Maximum number of resets | Number of allowed resets already performed | The anomaly can be reset 5 times consecutively, after which the function is inhibited for at least one hour. One attempt is gained every hour for a maximum of 5 attempts. By switching the boiler on and off again the 5 attempts are re-acquired |
| 10 | Insufficient system pressure | Water pressure inside the central heating circuit that is sufficient to guarantee the correct operation of the boiler is not detected | Check on the boiler pressure gauge that the system pressure is 1 - 1.2 bar cold. Restore to the correct pressure if necessary |
| 15 | Configuration error | If the board detects an anomaly or incongruity on the electric wiring, the boiler will not start | If normal conditions are restored the boiler restarts without having to be reset. Check that the boiler is configured correctly (1) |
| 16 | Fan anomaly | This occurs if the fan has a mechanical or electrical fault | Press the 'RESET' button (1) |
| 20 | Parasite flame block | This occurs in the event of a leak on the detection circuit or anomaly in the flame control unit | Press the 'RESET' button (1) |

(1) If the shutdown or fault persists, contact contact Alpha Heating Innovation Technical Helpline

(2) The anomaly can only be verified in the list of errors in the 'Information' menu

(3) Error displayed only on Climatic

| Error code | Fault | Cause | Boiler status/Solution |
|-------------------|--|--|---|
| 23 | Return sensor anomaly | The board detects an anomaly on the return NTC sensor | The boiler does not start (1) |
| 24 | Push button control panel anomaly | The board detects an anomaly on the push button panel | If normal conditions are restored the boiler restarts without having to be reset (1) |
| 27 | Circulation insufficient | This occurs if there is overheating in the boiler due to insufficient water circulating in the primary circuit. The causes can be: Low system circulation - check that no shut-off devices are closed on the heating circuit and that the system is free of air (deaerated) Circulating pump blocked - free the pump | If normal conditions are restored the boiler restarts without having to be reset (1) |
| 29 | Flue sensor anomaly | The board detects an anomaly on the flue sensor | The boiler does not start (1) |
| 31 | Loss of remote control communication | This occurs if an incompatible remote control is connected, or if communication between the boiler and the remote control is lost | Disconnect and reconnect the power supply to the boiler. If the remote control is still not detected on re-starting, the boiler will switch to local operating mode, i.e. using the controls on the control panel. In this case, the 'CH' function cannot be activated (1) |
| 36 | Bus communication loss | Communication between various components is interrupted due to an anomaly on the boiler control unit, on the zone control unit or on the IMG Bus | The boiler does not satisfy the room heating request (1) |
| 37 | Low power supply voltage | This occurs when the power supply voltage is lower than the allowed limits for the correct boiler operation | If normal conditions are restored the boiler restarts without having to be reset (1) |
| 38 | Loss of flame signal | This occurs when the boiler is ignited correctly and the burner flame switches off unexpectedly. A new attempt at ignition is performed and if normal conditions are restored, the boiler does not have to be reset | If normal conditions are restored the boiler restarts without having to be reset (1) (2) |
| 43 | Block due to loss of flame signal | This occurs if the 'Flame signal loss' error occurs many times in a row within the preset period (38) | Press the 'RESET' button, before restarting, the boiler will run a post-ventilation cycle (1) |
| 44 | Block for exceeding gas valve frequent maximum opening time | This occurs if the gas valve remains open for longer than required for normal operation, without the boiler switching on | Press the 'RESET' button (1) |
| 45 | ΔT high | The boiler detects a sudden, unexpected increase in the ΔT between the flow sensor and the system return sensor | The power of the burner is limited to prevent damage to the condensation module. Once the right ΔT is restored the boiler resumes regular operation. Make sure there is water circulating in the boiler, that the pump is configured according to system requirements and that the return sensor works properly (1) (2) |
| 46 | Intervention of DIM v2 safety thermostat or low temperature safety thermostat outside the boiler | During normal operation, if an anomaly causes excessive overheating of the flow temperature in low temperature conditions, the boiler blocks | In this case, after suitable cooling, it is possible to reset the thermostat (see relative instruction sheet) (1) |
| 47 | Burner power limitation | Should a high flue temperature be detected, the boiler reduces power supplied so as not to damage it | (1) |
| 48 | System flow sensor anomaly | The board detects an anomaly on the system flow sensor (Optional) | The appliance works with possible system temperature oscillations (1) |

(1) If the shutdown or fault persists, contact contact Alpha Heating Innovation Technical Helpline

(2) The anomaly can only be verified in the list of errors in the 'Information' menu

(3) Error displayed only on Climatic

| Error code | Fault | Cause | Boiler status/Solution |
|-------------------|--|---|---|
| 49 | High temperature block on return sensor | The temperature measured by the return sensor is above 90°C. The block is with manual reset | The error disappears when the temperature detected by the return sensor drops below 70°C. Press the 'RESET' button (1) |
| 51 | Communication failure with Climatic wireless | If there is no communication between the boiler and Climatic wireless version, an anomaly is signalled. From this moment it is only possible to control the system by means of the control panel of the boiler itself | Check operation of the wireless Climatic, check the battery charge (refer to the relative instruction booklet) |
| 60 | Anomaly pump blocked | The pump is stopped due to one of the following causes: Impelloer blocked or electrical fault | Try to unblock the pup as described in the relative section. If normal conditions are restored the boiler restarts without having to be reset (1) |
| 61 | Air in circulator | Air is detected inside the pump, the pump cannot work | Vent the pump and central heating circuit. If normal conditions are restored the boiler restarts without having to be reset (1) |
| 70 | Return/flow sensor exchange | In case of an incorrect boiler wiring connection the error is detected | The boiler does not start (1) |
| 75 | Return and/or flow sensor malfunction | Possible failure of one or both system return and flow sensors | The boiler does not start (1) |
| 76 | Flow and/or return sensors temperature drift | A malfunction of one or both system return and flow sensors is detected | The boiler does not start (1) |
| 83 | OFF MODE set on boiler (fault only displayed on remote device) | The boiler is set to OFF mode. Commands sent from the remote device are not executed | Reactivate all boiler functions by pressing the 'ON.Stand-by button |
| 98 | Block - maximum number of software errors | The maximum number of software errors possible has been reached | Press the 'RESET' button (1) |
| 138 | Screed heater in progress | Signalling to remote screed heater function devices (except Climatic) | (1) |
| 139 | Deaeration in progress | Signalling to remote venting function devices (except Climatic) | (1) |
| - - - - | PCB fault | PCB hardware fault | Replace PCB |

(1) If the shutdown or fault persists, contact contact Alpha Heating Innovation Technical Helpline

(2) The anomaly can only be verified in the list of errors in the 'Information' menu

(3) Error displayed only on Climatic

11 SHORT PARTS LIST

| Description | Alpha Pt. No. |
|---|---------------|
| Diverter cartridge..... | 3.025230 |
| Pressure gauge | 1.046022 |
| Condensate trap..... | 1.043051 |
| Bottom condensate trap connection..... | 1.023581 |
| Flow/Return sensor | 1.039476 |
| DHW temperature sensor..... | 1.039477 |
| Electrode | 1.046654 |
| Electrode gasket..... | 1.030251 |
| Flue turret with seals | 3.032822 |
| Flue flange..... | 1.045945 |
| DHW flow switch..... | 1.035365 |
| Pump head motor - 28..... | 1.047247 |
| Pump head motor – 33 – 38 | 1.046466 |
| Primary heat exchanger assembly - 28..... | 3.034435 |
| Primary heat exchanger assembly – 33 – 38 | 3.034434 |
| Burner - 28 | 1.046538 |
| Burner - 33 | 1.045690 |
| Burner - 38 | 1.045438 |
| Burner gasket..... | 1.025910 |
| Diverter valve motor | 1.045321 |
| Primary pressure sensor | 1.047598 |
| DHW heat exchanger - 28 with seals | 3.034535 |
| DHW heat exchanger - 33 with seals | 3.034536 |
| DHW heat exchanger - 38 with seals | 3.034538 |
| Main PCB | 1.046236 |
| Safety valve 3 bar..... | 1.028561 |
| Gas valve..... | 1.047483 |
| Automatic air vent with 'O'-ring seal | 1.027110 |
| Expansion vessel..... | 1.044389 |
| Fan 28 - 33 | 3.027699 |
| Fan 38 | 3.031017 |
| Flue sampling point cap..... | 3.026794 |
| Complete boiler seal kit | 3.034541 |
| Hydraulic circuit seal kit..... | 3.025323 |
| Complete heat exchanger seal kit | 3.034542 |
| Boiler accessory box complete..... | 3.033832 |
| Wall template..... | 1.046744 |
| Flue sensor..... | 1.041461 |
| Burner front insulation panel - 28 - 33..... | 3.033303 |
| Burner front insulation panel - 38 | 3.034924 |
| Rear combustion insulation panel | 3.034754 |

12 ENERGY CLASSIFICATION

12.1 TECHNICAL PARAMETERS FOR MIXED BOILERS (IN COMPLIANCE WITH REGULATION 811/2013)

The values in the following tables refer to the maximum heating output.

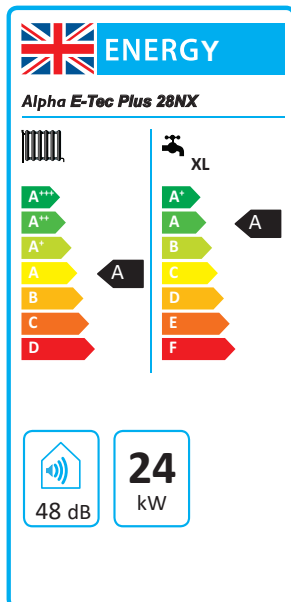
| | | | | | | | | |
|---|---------------|-------|----------------------|--|---------------------------------|---------------------|---------------------------------------|----|
| Model(s): | | | | E-Tec Plus 28NX | | | | |
| Condensing boiler: | | | | YES | | | | |
| Low-temperature boiler: | | | | NO | | | | |
| B1 boiler: | | | | NO | | | | |
| Cogeneration space heater: | | | | NO | | | Equipped with a supplementary heater: | NO |
| Combination heater: | | | | YES | | | | |
| Item | Symbol | Value | Unit | Item | Symbol | Value | Unit | |
| Rated heat output | P_n | 24 | kW | Seasonal space heating energy efficiency | η_s | 94 | % | |
| For boiler space heaters and boiler combination heaters: useful heat output | | | | For boiler space heaters and boiler combination heaters: Useful efficiency | | | | |
| At rated heat output and high temperature regime (*) | P_4 | 24.0 | kW | At rated heat output and high temperature regime (*) | η_4 | 87.8 | % | |
| At 30% of rated heat output and low temperature regime (**) | P_1 | 8.0 | kW | At 30% of rated heat output and low temperature regime (**) | η_1 | 98.7 | % | |
| Auxiliary electricity consumption | | | | Other items | | | | |
| At full load | $e_{l_{max}}$ | 0.012 | kW | Standby heat loss | P_{stby} | 0.054 | kW | |
| At part load | $e_{l_{min}}$ | 0.006 | kW | Ignition burner power consumption | P_{ign} | 0.000 | kW | |
| In standby mode | P_{SB} | 0.002 | kW | Emissions of nitrogen oxides | NO_x | 35 | mg / kWh | |
| For combination heaters: | | | | | | | | |
| Declared load profile | | | XL | | Water heating energy efficiency | | η_{WH} 87 % | |
| Daily electricity consumption | | | Q_{elec} 0.109 kWh | Daily fuel consumption | | Q_{fuel} 22.5 kWh | | |
| Contact details | | | | Alpha Therm Ltd., Nepicar House, Wrotham Heath, Kent. TN15 7RS | | | | |
| (*) High temperature regime means 60°C return temperature at heater inlet and 80°C feed temperature at heater outlet. | | | | | | | | |
| (**) Low temperature means for condensing boilers 30°C, for low-temperature boilers 37°C and for other heaters 50°C return temperature. | | | | | | | | |

| | | | | | | | | |
|---|---------------|-------|----------------------|--|---------------------------------|---------------------|---------------------------------------|----|
| Model(s): | | | | E-Tec Plus 33NX | | | | |
| Condensing boiler: | | | | YES | | | | |
| Low-temperature boiler: | | | | NO | | | | |
| B1 boiler: | | | | NO | | | | |
| Cogeneration space heater: | | | | NO | | | Equipped with a supplementary heater: | NO |
| Combination heater: | | | | YES | | | | |
| Item | Symbol | Value | Unit | Item | Symbol | Value | Unit | |
| Rated heat output | P_n | 28 | kW | Seasonal space heating energy efficiency | η_s | 94 | % | |
| For boiler space heaters and boiler combination heaters: useful heat output | | | | For boiler space heaters and boiler combination heaters: Useful efficiency | | | | |
| At rated heat output and high temperature regime (*) | P_4 | 28.0 | kW | At rated heat output and high temperature regime (*) | η_4 | 87.9 | % | |
| At 30% of rated heat output and low temperature regime (**) | P_1 | 9.4 | kW | At 30% of rated heat output and low temperature regime (**) | η_1 | 98.8 | % | |
| Auxiliary electricity consumption | | | | Other items | | | | |
| At full load | $e_{l_{max}}$ | 0.013 | kW | Standby heat loss | P_{stby} | 0.054 | kW | |
| At part load | $e_{l_{min}}$ | 0.006 | kW | Ignition burner power consumption | P_{ign} | 0.000 | kW | |
| In standby mode | P_{SB} | 0.002 | kW | Emissions of nitrogen oxides | NO_x | 31 | mg / kWh | |
| For combination heaters: | | | | | | | | |
| Declared load profile | | | XL | | Water heating energy efficiency | | η_{WH} 87 % | |
| Daily electricity consumption | | | Q_{elec} 0.120 kWh | Daily fuel consumption | | Q_{fuel} 22.5 kWh | | |
| Contact details | | | | Alpha Therm Ltd., Nepicar House, Wrotham Heath, Kent. TN15 7RS | | | | |
| (*) High temperature regime means 60°C return temperature at heater inlet and 80°C feed temperature at heater outlet. | | | | | | | | |
| (**) Low temperature means for condensing boilers 30°C, for low-temperature boilers 37°C and for other heaters 50°C return temperature. | | | | | | | | |

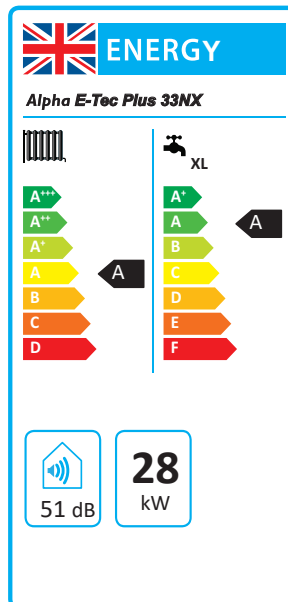
| | | | | | | | |
|--|---------------|--|----------------------|--|---------------------------------------|---------------------|------------------|
| Model(s): | | | E-Tec Plus 38NX | | | | |
| Condensing boiler: | | | YES | | | | |
| Low-temperature boiler: | | | NO | | | | |
| B1 boiler: | | | NO | | | | |
| Cogeneration space heater: | | | NO | | Equipped with a supplementary heater: | | NO |
| Combination heater: | | | YES | | | | |
| Item | Symbol | Value | Unit | Item | Symbol | Value | Unit |
| Rated heat output | P_n | 32 | kW | Seasonal space heating energy efficiency | η_s | 94 | % |
| For boiler space heaters and boiler combination heaters: useful heat output | | | | For boiler space heaters and boiler combination heaters: Useful efficiency | | | |
| At rated heat output and high temperature regime (*) | P_4 | 32.0 | kW | At rated heat output and high temperature regime (*) | η_4 | 87.9 | % |
| At 30% of rated heat output and low temperature regime (**) | P_1 | 10.8 | kW | At 30% of rated heat output and low temperature regime (**) | η_1 | 98.5 | % |
| Auxiliary electricity consumption | | | | Other items | | | |
| At full load | $e_{l_{max}}$ | 0.020 | kW | Standby heat loss | P_{stby} | 0.054 | kW |
| At part load | $e_{l_{min}}$ | 0.010 | kW | Ignition burner power consumption | P_{ign} | 0.000 | kW |
| In standby mode | P_{SB} | 0.002 | kW | Emissions of nitrogen oxides | NO_x | 25 | mg / kWh |
| For combination heaters: | | | | | | | |
| Declared load profile | | | XXL | | Water heating energy efficiency | | η_{WH} 85 % |
| Daily electricity consumption | | | Q_{elec} 0.184 kWh | Daily fuel consumption | | Q_{fuel} 28.4 kWh | |
| Contact details | | Alpha Therm Ltd., Nepicar House, Wrotham Heath, Kent. TN15 7RS | | | | | |
| (*) High temperature regime means 60°C return temperature at heater inlet and 80°C feed temperature at heater outlet. (**) Low temperature means for condensing boilers 30°C, for low-temperature boilers 37°C and for other heaters 50°C return temperature. | | | | | | | |

12.2 PRODUCT DATA SHEET (IN COMPLIANCE WITH REGULATION 811/2013)

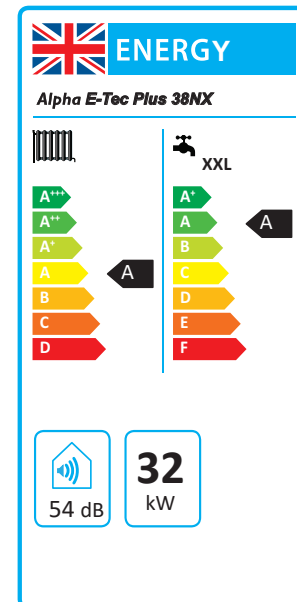
E-Tec Plus 28NX



E-Tec Plus 33NX



E-Tec Plus 38NX



| Parameter | Value | | |
|--|-----------------|-----------------|-----------------|
| | E-Tec Plus 28NX | E-Tec Plus 33NX | E-Tec Plus 38NX |
| Yearly energy consumption for the heating function (QHE) | 43 GJ | 50 GJ | 58 GJ |
| Yearly electricity consumption for the domestic hot water function (AEC) | 24 kWh | 26 kWh | 41 kWh |
| Yearly fuel consumption for the domestic hot water function (AFC) | 18 GJ | 18 GJ | 23 GJ |
| Seasonal room heating yield (η_s) | 94 % | 94 % | 94 % |
| Domestic hot water production yield (η_{wh}) | 87 % | 87 % | 85 % |

12.3 FACSIMILE FOR FILLING IN ROOM HEATING SYSTEM ASSEMBLY CHART

1 'I' %

Seasonal space heating energy efficiency of boiler

Temperature control From fiche of temperature control

Class I = 1 %, Class II = 2 %,
 Class III = 1.5 %, Class IV = 2 %,
 Class V = 3 %, Class VI = 4 %,
 Class VII = 3.5 %, Class VIII = 5 %

2 + %

Supplementary boiler From fiche of boiler

Seasonal space heating energy efficiency (in %)

$$(\text{ } - \text{'I'}) \times 0,1 = \pm \text{ } \%$$

3

Solar contribution From fiche of solar device

Collector size (in m²)

Tank volume (in m³)

Collector efficiency (in %)

Tank rating
 A* = 0.95, A = 0.91
 B = 0.86, C = 0.83
 D-G = 0.81

$$(\text{'III'} \times \text{ } + \text{'IV'} \times \text{ }) \times (0,9 \times (\text{ } / 100) \times \text{ } = + \text{ } \%$$

4

Supplementary heat pump From fiche of heat pump

Seasonal space heating energy efficiency (in %)

$$(\text{ } - \text{'I'}) \times \text{'II'} = + \text{ } \%$$

5

Solar contribution AND Supplementary heat pump

Select smaller value

$$0,5 \times \text{ } \text{ O } 0,5 \times \text{ } = - \text{ } \%$$

6

Seasonal space heating energy efficiency of package **7** %

Seasonal space heating energy efficiency class of package

| | | | | | | | | | |
|----------|----------|----------|----------|----------|----------|----------|----------------------|-----------------------|------------------------|
| ☐ | ☐ | ☐ | ☐ | ☐ | ☐ | ☐ | ☐ | ☐ | ☐ |
| G | F | E | D | C | B | A | A⁺ | A⁺⁺ | A⁺⁺⁺ |
| < 30 % | ≥ 30 % | ≥ 34 % | ≥ 36 % | ≥ 75 % | ≥ 82 % | ≥ 90 % | ≥ 98 % | ≥ 125 % | ≥ 150 % |

Boiler and supplementary heat pump installed with low temperature heat emitters at 35°C?

From fiche of heat pump **7** + (50 x 'II') = %

The energy efficiency of the package of products provided for in this fiche may not correspond to its actual energy efficiency once installed in a building, as the efficiency is influenced by further factors such as heat loss in the distribution system and the dimensioning of the products in relation to building size and characteristics.

12.4 FACSIMILE FOR FILLING IN DOMESTIC HOT WATER PRODUCTION SYSTEM ASSEMBLY CHART

Water heating energy efficiency of combination heater

¹
 %

Declared load profile:

Solar contribution

From fiche of solar device

Auxiliary electricity

(1.1 x 'I' - 10%) x 'II' - - 'I' = + %

²
 %

Water heating energy efficiency of package under average climate

³
 %

Water heating energy efficiency class of package under average climate

| | <input type="checkbox"/> | <input type="checkbox"/> | <input type="checkbox"/> | <input type="checkbox"/> | <input type="checkbox"/> | <input type="checkbox"/> | <input type="checkbox"/> | <input type="checkbox"/> | <input type="checkbox"/> | <input type="checkbox"/> |
|-------------------------------------|--------------------------|--------------------------|--------------------------|--------------------------|--------------------------|--------------------------|--------------------------|--------------------------|--------------------------|--------------------------|
| | G | F | E | D | C | B | A | A⁺ | A⁺⁺ | A⁺⁺⁺ |
| <input type="checkbox"/> M | < 27 % | ≥ 27 % | ≥ 30 % | ≥ 33 % | ≥ 36 % | ≥ 39 % | ≥ 65 % | ≥ 100 % | ≥ 130 % | ≥ 163 % |
| <input type="checkbox"/> L | < 27 % | ≥ 27 % | ≥ 30 % | ≥ 34 % | ≥ 37 % | ≥ 50 % | ≥ 75 % | ≥ 115 % | ≥ 150 % | ≥ 188 % |
| <input type="checkbox"/> XL | < 27 % | ≥ 27 % | ≥ 30 % | ≥ 35 % | ≥ 38 % | ≥ 55 % | ≥ 80 % | ≥ 123 % | ≥ 160 % | ≥ 200 % |
| <input type="checkbox"/> XXL | < 28 % | ≥ 28 % | ≥ 32 % | ≥ 36 % | ≥ 40 % | ≥ 60 % | ≥ 85 % | ≥ 131 % | ≥ 170 % | ≥ 213 % |

Water heating energy efficiency under colder and warmer climate conditions

Colder : ³ - 0.2 x ² = %

Warmer : ³ + 0.4 x ² = %

The energy efficiency of the package of products provided for in this fiche may not correspond to its actual energy efficiency once installed in a building, as the efficiency is influenced by further factors such as heat loss in the distribution system and the dimensioning of the products in relation to building size and characteristics.

12.5 DOMESTIC HOT WATER PRODUCTION SYSTEM ASSEMBLY CHART

Water heating energy efficiency of combination heater 1 %

Declared load profile:

Solar contribution
From fiche of solar device

Auxiliary electricity
↓

(1.1 x - 10 %) x - - = + 2 %

Water heating energy efficiency of package under average climate 3 %

Water heating energy efficiency class of package under average climate

| | <input type="checkbox"/> | <input type="checkbox"/> | <input type="checkbox"/> | <input type="checkbox"/> | <input type="checkbox"/> | <input type="checkbox"/> | <input type="checkbox"/> | <input type="checkbox"/> | <input type="checkbox"/> | <input type="checkbox"/> |
|-------------------------------------|--------------------------|--------------------------|--------------------------|--------------------------|--------------------------|--------------------------|--------------------------|--------------------------|--------------------------|--------------------------|
| | G | F | E | D | C | B | A | A⁺ | A⁺⁺ | A⁺⁺⁺ |
| <input type="checkbox"/> M | < 27 % | ≥ 27 % | ≥ 30 % | ≥ 33 % | ≥ 36 % | ≥ 39 % | ≥ 65 % | ≥ 100 % | ≥ 130 % | ≥ 163 % |
| <input type="checkbox"/> L | < 27 % | ≥ 27 % | ≥ 30 % | ≥ 34 % | ≥ 37 % | ≥ 50 % | ≥ 75 % | ≥ 115 % | ≥ 150 % | ≥ 188 % |
| <input type="checkbox"/> XL | < 27 % | ≥ 27 % | ≥ 30 % | ≥ 35 % | ≥ 38 % | ≥ 55 % | ≥ 80 % | ≥ 123 % | ≥ 160 % | ≥ 200 % |
| <input type="checkbox"/> XXL | < 28 % | ≥ 28 % | ≥ 32 % | ≥ 36 % | ≥ 40 % | ≥ 60 % | ≥ 85 % | ≥ 131 % | ≥ 170 % | ≥ 213 % |

Water heating energy efficiency under colder and warmer climate conditions

Colder: 3 - 0.2 x = %

Warmer : 3 + 0.4 x = %

The energy efficiency of the package of products provided for in this fiche may not correspond to its actual energy efficiency once installed in a building, as the efficiency is influenced by further factors such as heat loss in the distribution system and the dimensioning of the products in relation to building size and characteristics.

12.6 PARAMETERS FOR FILLING IN DHW PACKAGE ASSEMBLY CHART

| Parameter | E-Tec Plus 28NX | E-Tec Plus 33NX | E-Tec Plus 38NX |
|-----------|-----------------|-----------------|-----------------|
| 'I' | 87 | 87 | 85 |
| 'II' | * | * | * |
| 'III' | * | * | * |

* To be determined according to Regulation 811/2014 and transient calculation methods as per Notice of the European Community no. 207/2013.

12.7 ROOM HEATING SYSTEM ASSEMBLY CHART

Seasonal space heating energy efficiency of boiler 1 %

Temperature control
From fiche of temperature control

Class I = 1 %, Class II = 2 %,
 Class III = 1.5 %, Class IV = 2 %,
 Class V = 3 %, Class VI = 4 %,
 Class VII = 3.5 %, Class VIII = 5 %

2 %

Supplementary boiler
From fiche of boiler

Seasonal space heating energy efficiency (in %)

$$(\text{ } - \text{ }) \times 0,1 = \pm \text{ } \%$$
3

Collector size (in m²)

Tank volume (in m³)

Collector efficiency (in %)

Tank rating
 A* = 0.95, A = 0.91
 B = 0.86, C = 0.83
 D-G = 0.81

Seasonal space heating energy efficiency (in %)

| | | | | | | | | | |
|------------------|---------------|---------------|---------------|---------------|---------------|---------------|----------------------|-----------------------|------------------------|
| | | | | | | | | | |
| G | F | E | D | C | B | A | A⁺ | A⁺⁺ | A⁺⁺⁺ |
| < 30 % | ≥ 30 % | ≥ 34 % | ≥ 36 % | ≥ 75 % | ≥ 82 % | ≥ 90 % | ≥ 98 % | ≥ 125 % | ≥ 150 % |

12.8 PARAMETERS FOR FILLING IN ASSEMBLY CHART

| Parameter | E-Tec Plus 28NX | E-Tec Plus 33NX | E-Tec Plus 38NX |
|-----------|-----------------|-----------------|-----------------|
| 'I' | 94 | 94 | 94 |
| 'II' | * | * | * |
| 'III' | 1.11 | 0.95 | 0.84 |
| 'IV' | 0.44 | 0.37 | 0.33 |

* To be established by means of table 5 of Regulation 811/2013 in case of "assembly" including a heat pump to integrate the boiler. In this case the boiler must be considered as the main appliance of the assembly.



GAS BOILER SYSTEM COMMISSIONING CHECKLIST & WARRANTY VALIDATION RECORD

| | | | | | | | | | | | |
|---|--|------------------------------|--|--------|--|-------------------------------|--|--------------------|---|--|-----|
| Address: | | | | | | | | | | | |
| Boiler make and model: | | | | | | | | | | | |
| Boiler serial number: | | | | | | | | | | | |
| Commissioned by (PRINT NAME): | | | | | | Gas Safe registration number: | | | | | |
| Company name: | | | | | | Telephone number: | | | | | |
| Company email: | | | | | | Company address: | | | | | |
| | | | | | | | | | | Commissioning date: | |
| Heating and hot water system complies with the appropriate Building Regulations? | | | | | | | | | | | Yes |
| Optional: Building Regulations Notification Number (if applicable): | | | | | | | | | | | |
| Time, temperature control and boiler interlock provided for central heating and hot water | | | | | | | | | | | Yes |
| Boiler Plus requirements (tick the appropriate box(s)) | | | | | | | | | | | |
| Boiler Plus option chosen for combination boiler in ENGLAND | | | | | | Weather compensation | | | Smart thermostat with automisation and optimisation | | |
| | | | | | | Load compensation | | | Flue Gas Heat Recovery | | |
| Time and temperature control to hot water | | | Cylinder thermostat and programmer/timer | | | | | | Combination boiler | | |
| Zone valves | | pre-existing | | | | Fitted | | | | Not required | |
| Thermostatic radiator valves | | pre-existing | | | | Fitted | | | | Not required | |
| Automatic bypass to system | | pre-existing | | | | Fitted | | | | Not required | |
| Underfloor heating | | pre-existing | | | | Fitted | | | | Not required | |
| Water quality | | | | | | | | | | | |
| The system has been flushed, cleaned and a suitable inhibitor applied upon final fill, in accordance with BS7593 and boiler manufacturers' instructions | | | | | | | | | | | Yes |
| What system cleaner was used? | | | | | | Brand: | | | Product: | | |
| What inhibitor was used? | | | | | | Brand: | | | Product: | | |
| Primary water system filter | | pre-existing | | | | Fitted | | | | Not required | |
| CENTRAL HEATING MODE measure and record (as appropriate) | | | | | | | | | | | |
| Gas rate (for combination boilers complete DHW mode gas rate) | | | | | | m ³ /hr | | or | | ft ³ /hr | |
| Central heating output left at factory settings? | | | | | | Yes | | | | No | |
| If no, what is the maximum central heating output selected? | | | | | | kW | | | | | |
| Dynamic gas inlet pressure | | | | | | mbar | | | | | |
| Central heating flow temperature | | | | | | °C | | | | | |
| Central heating return temperature | | | | | | °C | | | | | |
| System correctly balanced/rebalanced? | | | | | | Yes | | | | | |
| COMBINATION BOILERS ONLY | | | | | | | | | | | |
| Is the installation in a hard water area (above 200ppm)? | | | | | | Yes | | | | No | |
| Water scale reducer/softener | | pre-existing | | | | Fitted | | | | Not required | |
| What type of scale reducer/softener has been fitted? | | | | | | Brand: | | | Product: | | |
| Water meter fitted? | | | | | | Yes | | | | No | |
| If yes- DHW expansion vessel | | pre-existing | | | | Fitted | | | | Not required | |
| Pressure reducing valve | | pre-existing | | | | Fitted | | | | Not required | |
| DOMESTIC HOT WATER MODE Measure and record | | | | | | | | | | | |
| Gas rate | | | | | | m ³ /hr | | or | | ft ³ /hr | |
| Dynamic gas inlet pressure at maximum rate | | | | | | mbar | | | | | |
| Cold water inlet temperature | | | | | | °C | | | | | |
| Hot water has been checked at all outlets | | | | | | Yes | | | | Temperature | |
| CONDENSATE DISPOSAL | | | | | | | | | | | |
| The condensate drain has been installed in accordance with the manufacturers' instructions and/or BS5546/BS6798 | | | | | | | | | | | Yes |
| Point of termination | | | | | | Internal | | | | External (only where internal termination impractical) | |
| Method of disposal | | | | | | Gravity | | | | Pumped | |
| ALL INSTALLATIONS | | | | | | | | | | | |
| Record the following | | At max rate: | | CO ppm | | CO ₂ % | | CO/CO ₂ | | Ratio | |
| | | At min rate (where possible) | | CO ppm | | CO ₂ % | | CO/CO ₂ | | Ratio | |
| Where possible, has a flue integrity check been undertaken in accordance with manufacturers' instructions, and readings are correct? | | | | | | | | | | | Yes |
| The operation of the boiler and system controls have been demonstrated to and understood by the customer | | | | | | | | | | | Yes |
| The manufacturers' literature, including Benchmark Checklist and Service Record, has been explained and left with the customer | | | | | | | | | | | Yes |
| Commissioning Engineer's signature | | | | | | | | | | | |
| Customer's signature (To confirm satisfactory demonstration and receipt of manufacturers' literature) | | | | | | | | | | | |

* All installations in England and Wales must be notified to Local Authority Building Control (LABC) either directly or through a Competent Persons Scheme. A Building Regulations Compliance Certificate will then be issued to the customer.

SERVICE & INTERIM BOILER WORK RECORD

It is recommended that your boiler and heating system are regularly serviced and maintained, in line with manufacturers' instructions, and that the appropriate service / interim work record is completed.

Service provider

When completing a service record (as below), please ensure you have carried out the service as described in the manufacturers' instructions. Always use the manufacturers' specified spare parts.

| SERVICE/INTERIM WORK ON BOILER <small>delete as appropriate</small> | | | | | Date: |
|--|-------------------|---------------------------|--------------------|---|--------------------|
| Engineer name: | | Company name: | | | |
| Telephone N°: | | Gas Safe registration N°: | | | |
| Max rate | CO | ppm | CO ₂ | % | CO/CO ₂ |
| Min rate | CO | ppm | CO ₂ | % | CO/CO ₂ |
| Where possible, has a flue integrity check been undertaken in accordance with manufacturers' instructions, and readings are correct?" | | | | | yes |
| Gas rate: | m ³ /h | OR | ft ³ /h | | |
| Were parts fitted? <small>delete as appropriate</small> | | Yes | No | | |
| Parts fitted: | | | | | |
| System inhibitor concentration has been checked and appropriate action taken, in accordance with BS 7593 and boiler manufacturers' instructions. * | | | | | yes n/a |
| Comments: | | | | | |
| Signature: | | | | | |

*A System inhibitor efficacy test is required on every annual service in accordance with the manufacturers' instructions and BS 7593. It is only acceptable to not have undertaken this if the service engineers attendance visit was in between annual services to attend a non-water facing component.

| SERVICE/INTERIM WORK ON BOILER <small>delete as appropriate</small> | | | | | Date: |
|--|-------------------|---------------------------|--------------------|---|--------------------|
| Engineer name: | | Company name: | | | |
| Telephone N°: | | Gas Safe registration N°: | | | |
| Max rate | CO | ppm | CO ₂ | % | CO/CO ₂ |
| Min rate | CO | ppm | CO ₂ | % | CO/CO ₂ |
| Where possible, has a flue integrity check been undertaken in accordance with manufacturers' instructions, and readings are correct?" | | | | | yes |
| Gas rate: | m ³ /h | OR | ft ³ /h | | |
| Were parts fitted? <small>delete as appropriate</small> | | Yes | No | | |
| Parts fitted: | | | | | |
| System inhibitor concentration has been checked and appropriate action taken, in accordance with BS 7593 and boiler manufacturers' instructions. * | | | | | yes n/a |
| Comments: | | | | | |
| Signature: | | | | | |

*A System inhibitor efficacy test is required on every annual service in accordance with the manufacturers' instructions and BS 7593. It is only acceptable to not have undertaken this if the service engineers attendance visit was in between annual services to attend a non-water facing component.

| SERVICE/INTERIM WORK ON BOILER <small>delete as appropriate</small> | | | | | Date: |
|--|-------------------|---------------------------|--------------------|---|--------------------|
| Engineer name: | | Company name: | | | |
| Telephone N°: | | Gas Safe registration N°: | | | |
| Max rate | CO | ppm | CO ₂ | % | CO/CO ₂ |
| Min rate | CO | ppm | CO ₂ | % | CO/CO ₂ |
| Where possible, has a flue integrity check been undertaken in accordance with manufacturers' instructions, and readings are correct?" | | | | | yes |
| Gas rate: | m ³ /h | OR | ft ³ /h | | |
| Were parts fitted? <small>delete as appropriate</small> | | Yes | No | | |
| Parts fitted: | | | | | |
| System inhibitor concentration has been checked and appropriate action taken, in accordance with BS 7593 and boiler manufacturers' instructions. * | | | | | yes n/a |
| Comments: | | | | | |
| Signature: | | | | | |

*A System inhibitor efficacy test is required on every annual service in accordance with the manufacturers' instructions and BS 7593. It is only acceptable to not have undertaken this if the service engineers attendance visit was in between annual services to attend a non-water facing component.

| SERVICE/INTERIM WORK ON BOILER <small>delete as appropriate</small> | | | | | Date: |
|--|-------------------|---------------------------|--------------------|---|--------------------|
| Engineer name: | | Company name: | | | |
| Telephone N°: | | Gas Safe registration N°: | | | |
| Max rate | CO | ppm | CO ₂ | % | CO/CO ₂ |
| Min rate | CO | ppm | CO ₂ | % | CO/CO ₂ |
| Where possible, has a flue integrity check been undertaken in accordance with manufacturers' instructions, and readings are correct?" | | | | | yes |
| Gas rate: | m ³ /h | OR | ft ³ /h | | |
| Were parts fitted? <small>delete as appropriate</small> | | Yes | No | | |
| Parts fitted: | | | | | |
| System inhibitor concentration has been checked and appropriate action taken, in accordance with BS 7593 and boiler manufacturers' instructions. * | | | | | yes n/a |
| Comments: | | | | | |
| Signature: | | | | | |

*A System inhibitor efficacy test is required on every annual service in accordance with the manufacturers' instructions and BS 7593. It is only acceptable to not have undertaken this if the service engineers attendance visit was in between annual services to attend a non-water facing component.

| SERVICE/INTERIM WORK ON BOILER <small>delete as appropriate</small> | | | | | Date: |
|--|-------------------|---------------------------|--------------------|---|--------------------|
| Engineer name: | | Company name: | | | |
| Telephone N°: | | Gas Safe registration N°: | | | |
| Max rate | CO | ppm | CO ₂ | % | CO/CO ₂ |
| Min rate | CO | ppm | CO ₂ | % | CO/CO ₂ |
| Where possible, has a flue integrity check been undertaken in accordance with manufacturers' instructions, and readings are correct?" | | | | | yes |
| Gas rate: | m ³ /h | OR | ft ³ /h | | |
| Were parts fitted? <small>delete as appropriate</small> | | Yes | No | | |
| Parts fitted: | | | | | |
| System inhibitor concentration has been checked and appropriate action taken, in accordance with BS 7593 and boiler manufacturers' instructions. * | | | | | yes n/a |
| Comments: | | | | | |
| Signature: | | | | | |

*A System inhibitor efficacy test is required on every annual service in accordance with the manufacturers' instructions and BS 7593. It is only acceptable to not have undertaken this if the service engineers attendance visit was in between annual services to attend a non-water facing component.

| SERVICE/INTERIM WORK ON BOILER <small>delete as appropriate</small> | | | | | Date: |
|--|-------------------|---------------------------|--------------------|---|--------------------|
| Engineer name: | | Company name: | | | |
| Telephone N°: | | Gas Safe registration N°: | | | |
| Max rate | CO | ppm | CO ₂ | % | CO/CO ₂ |
| Min rate | CO | ppm | CO ₂ | % | CO/CO ₂ |
| Where possible, has a flue integrity check been undertaken in accordance with manufacturers' instructions, and readings are correct?" | | | | | yes |
| Gas rate: | m ³ /h | OR | ft ³ /h | | |
| Were parts fitted? <small>delete as appropriate</small> | | Yes | No | | |
| Parts fitted: | | | | | |
| System inhibitor concentration has been checked and appropriate action taken, in accordance with BS 7593 and boiler manufacturers' instructions. * | | | | | yes n/a |
| Comments: | | | | | |
| Signature: | | | | | |

*A System inhibitor efficacy test is required on every annual service in accordance with the manufacturers' instructions and BS 7593. It is only acceptable to not have undertaken this if the service engineers attendance visit was in between annual services to attend a non-water facing component.

* All installations in England and Wales must be notified to Local Authority Building Control (LABC) either directly or through a Competent Persons Scheme. A Building Regulations Compliance Certificate will then be issued to the customer.

SERVICE & INTERIM BOILER WORK RECORD

It is recommended that your boiler and heating system are regularly serviced and maintained, in line with manufacturers' instructions, and that the appropriate service / interim work record is completed.

Service provider

When completing a service record (as below), please ensure you have carried out the service as described in the manufacturers' instructions. Always use the manufacturers' specified spare parts.

| SERVICE/INTERIM WORK ON BOILER <small>delete as appropriate</small> | | | | | Date: |
|--|-------------------|---------------------------|--------------------|-----|--------------------|
| Engineer name: | | Company name: | | | |
| Telephone N°: | | Gas Safe registration N°: | | | |
| Max rate | CO | ppm | CO ₂ | % | CO/CO ₂ |
| Min rate | CO | ppm | CO ₂ | % | CO/CO ₂ |
| Where possible, has a flue integrity check been undertaken in accordance with manufacturers' instructions, and readings are correct?* | | | | yes | |
| Gas rate: | m ³ /h | OR | ft ³ /h | | |
| Were parts fitted? <small>delete as appropriate</small> | | Yes | No | | |
| Parts fitted: | | | | | |
| System inhibitor concentration has been checked and appropriate action taken, in accordance with BS 7593 and boiler manufacturers' instructions. * | | | | yes | n/a |
| Comments: | | | | | |
| Signature: | | | | | |

*A System inhibitor efficacy test is required on every annual service in accordance with the manufacturers' instructions and BS 7593. It is only acceptable to not have undertaken this if the service engineers attendance visit was in between annual services to attend a non-water facing component.

| SERVICE/INTERIM WORK ON BOILER <small>delete as appropriate</small> | | | | | Date: |
|--|-------------------|---------------------------|--------------------|-----|--------------------|
| Engineer name: | | Company name: | | | |
| Telephone N°: | | Gas Safe registration N°: | | | |
| Max rate | CO | ppm | CO ₂ | % | CO/CO ₂ |
| Min rate | CO | ppm | CO ₂ | % | CO/CO ₂ |
| Where possible, has a flue integrity check been undertaken in accordance with manufacturers' instructions, and readings are correct?* | | | | yes | |
| Gas rate: | m ³ /h | OR | ft ³ /h | | |
| Were parts fitted? <small>delete as appropriate</small> | | Yes | No | | |
| Parts fitted: | | | | | |
| System inhibitor concentration has been checked and appropriate action taken, in accordance with BS 7593 and boiler manufacturers' instructions. * | | | | yes | n/a |
| Comments: | | | | | |
| Signature: | | | | | |

*A System inhibitor efficacy test is required on every annual service in accordance with the manufacturers' instructions and BS 7593. It is only acceptable to not have undertaken this if the service engineers attendance visit was in between annual services to attend a non-water facing component.

| SERVICE/INTERIM WORK ON BOILER <small>delete as appropriate</small> | | | | | Date: |
|--|-------------------|---------------------------|--------------------|-----|--------------------|
| Engineer name: | | Company name: | | | |
| Telephone N°: | | Gas Safe registration N°: | | | |
| Max rate | CO | ppm | CO ₂ | % | CO/CO ₂ |
| Min rate | CO | ppm | CO ₂ | % | CO/CO ₂ |
| Where possible, has a flue integrity check been undertaken in accordance with manufacturers' instructions, and readings are correct?* | | | | yes | |
| Gas rate: | m ³ /h | OR | ft ³ /h | | |
| Were parts fitted? <small>delete as appropriate</small> | | Yes | No | | |
| Parts fitted: | | | | | |
| System inhibitor concentration has been checked and appropriate action taken, in accordance with BS 7593 and boiler manufacturers' instructions. * | | | | yes | n/a |
| Comments: | | | | | |
| Signature: | | | | | |

*A System inhibitor efficacy test is required on every annual service in accordance with the manufacturers' instructions and BS 7593. It is only acceptable to not have undertaken this if the service engineers attendance visit was in between annual services to attend a non-water facing component.

| SERVICE/INTERIM WORK ON BOILER <small>delete as appropriate</small> | | | | | Date: |
|--|-------------------|---------------------------|--------------------|-----|--------------------|
| Engineer name: | | Company name: | | | |
| Telephone N°: | | Gas Safe registration N°: | | | |
| Max rate | CO | ppm | CO ₂ | % | CO/CO ₂ |
| Min rate | CO | ppm | CO ₂ | % | CO/CO ₂ |
| Where possible, has a flue integrity check been undertaken in accordance with manufacturers' instructions, and readings are correct?* | | | | yes | |
| Gas rate: | m ³ /h | OR | ft ³ /h | | |
| Were parts fitted? <small>delete as appropriate</small> | | Yes | No | | |
| Parts fitted: | | | | | |
| System inhibitor concentration has been checked and appropriate action taken, in accordance with BS 7593 and boiler manufacturers' instructions. * | | | | yes | n/a |
| Comments: | | | | | |
| Signature: | | | | | |

*A System inhibitor efficacy test is required on every annual service in accordance with the manufacturers' instructions and BS 7593. It is only acceptable to not have undertaken this if the service engineers attendance visit was in between annual services to attend a non-water facing component.

| SERVICE/INTERIM WORK ON BOILER <small>delete as appropriate</small> | | | | | Date: |
|--|-------------------|---------------------------|--------------------|-----|--------------------|
| Engineer name: | | Company name: | | | |
| Telephone N°: | | Gas Safe registration N°: | | | |
| Max rate | CO | ppm | CO ₂ | % | CO/CO ₂ |
| Min rate | CO | ppm | CO ₂ | % | CO/CO ₂ |
| Where possible, has a flue integrity check been undertaken in accordance with manufacturers' instructions, and readings are correct?* | | | | yes | |
| Gas rate: | m ³ /h | OR | ft ³ /h | | |
| Were parts fitted? <small>delete as appropriate</small> | | Yes | No | | |
| Parts fitted: | | | | | |
| System inhibitor concentration has been checked and appropriate action taken, in accordance with BS 7593 and boiler manufacturers' instructions. * | | | | yes | n/a |
| Comments: | | | | | |
| Signature: | | | | | |

*A System inhibitor efficacy test is required on every annual service in accordance with the manufacturers' instructions and BS 7593. It is only acceptable to not have undertaken this if the service engineers attendance visit was in between annual services to attend a non-water facing component.

| SERVICE/INTERIM WORK ON BOILER <small>delete as appropriate</small> | | | | | Date: |
|--|-------------------|---------------------------|--------------------|-----|--------------------|
| Engineer name: | | Company name: | | | |
| Telephone N°: | | Gas Safe registration N°: | | | |
| Max rate | CO | ppm | CO ₂ | % | CO/CO ₂ |
| Min rate | CO | ppm | CO ₂ | % | CO/CO ₂ |
| Where possible, has a flue integrity check been undertaken in accordance with manufacturers' instructions, and readings are correct?* | | | | yes | |
| Gas rate: | m ³ /h | OR | ft ³ /h | | |
| Were parts fitted? <small>delete as appropriate</small> | | Yes | No | | |
| Parts fitted: | | | | | |
| System inhibitor concentration has been checked and appropriate action taken, in accordance with BS 7593 and boiler manufacturers' instructions. * | | | | yes | n/a |
| Comments: | | | | | |
| Signature: | | | | | |

*A System inhibitor efficacy test is required on every annual service in accordance with the manufacturers' instructions and BS 7593. It is only acceptable to not have undertaken this if the service engineers attendance visit was in between annual services to attend a non-water facing component.

* All installations in England and Wales must be notified to Local Authority Building Control (LABC) either directly or through a Competent Persons Scheme. A Building Regulations Compliance Certificate will then be issued to the customer.

SERVICE & INTERIM BOILER WORK RECORD

It is recommended that your boiler and heating system are regularly serviced and maintained, in line with manufacturers' instructions, and that the appropriate service / interim work record is completed.

Service provider

When completing a service record (as below), please ensure you have carried out the service as described in the manufacturers' instructions. Always use the manufacturers specified spare parts.

| SERVICE/INTERIM WORK ON BOILER <small>delete as appropriate</small> | | | | | Date: | |
|--|-------------------|---------------------------|--------------------|---|--------------------|-----|
| Engineer name: | | Company name: | | | | |
| Telephone N°: | | Gas Safe registration N°: | | | | |
| Max rate | CO | ppm | CO ₂ | % | CO/CO ₂ | |
| Min rate | CO | ppm | CO ₂ | % | CO/CO ₂ | |
| Where possible, has a flue integrity check been undertaken in accordance with manufacturers' instructions, and readings are correct?* | | | | | yes | |
| Gas rate: | m ³ /h | OR | ft ³ /h | | | |
| Were parts fitted? <small>delete as appropriate</small> | | Yes | No | | | |
| Parts fitted: | | | | | | |
| System inhibitor concentration has been checked and appropriate action taken, in accordance with BS 7593 and boiler manufacturers' instructions. * | | | | | yes | n/a |
| Comments: | | | | | | |
| Signature: | | | | | | |

*A System inhibitor efficacy test is required on every annual service in accordance with the manufacturers' instructions and BS 7593. It is only acceptable to not have undertaken this if the service engineers attendance visit was in between annual services to attend a non-water facing component.

| SERVICE/INTERIM WORK ON BOILER <small>delete as appropriate</small> | | | | | Date: | |
|--|-------------------|---------------------------|--------------------|---|--------------------|-----|
| Engineer name: | | Company name: | | | | |
| Telephone N°: | | Gas Safe registration N°: | | | | |
| Max rate | CO | ppm | CO ₂ | % | CO/CO ₂ | |
| Min rate | CO | ppm | CO ₂ | % | CO/CO ₂ | |
| Where possible, has a flue integrity check been undertaken in accordance with manufacturers' instructions, and readings are correct?* | | | | | yes | |
| Gas rate: | m ³ /h | OR | ft ³ /h | | | |
| Were parts fitted? <small>delete as appropriate</small> | | Yes | No | | | |
| Parts fitted: | | | | | | |
| System inhibitor concentration has been checked and appropriate action taken, in accordance with BS 7593 and boiler manufacturers' instructions. * | | | | | yes | n/a |
| Comments: | | | | | | |
| Signature: | | | | | | |

*A System inhibitor efficacy test is required on every annual service in accordance with the manufacturers' instructions and BS 7593. It is only acceptable to not have undertaken this if the service engineers attendance visit was in between annual services to attend a non-water facing component.

| SERVICE/INTERIM WORK ON BOILER <small>delete as appropriate</small> | | | | | Date: | |
|--|-------------------|---------------------------|--------------------|---|--------------------|-----|
| Engineer name: | | Company name: | | | | |
| Telephone N°: | | Gas Safe registration N°: | | | | |
| Max rate | CO | ppm | CO ₂ | % | CO/CO ₂ | |
| Min rate | CO | ppm | CO ₂ | % | CO/CO ₂ | |
| Where possible, has a flue integrity check been undertaken in accordance with manufacturers' instructions, and readings are correct?* | | | | | yes | |
| Gas rate: | m ³ /h | OR | ft ³ /h | | | |
| Were parts fitted? <small>delete as appropriate</small> | | Yes | No | | | |
| Parts fitted: | | | | | | |
| System inhibitor concentration has been checked and appropriate action taken, in accordance with BS 7593 and boiler manufacturers' instructions. * | | | | | yes | n/a |
| Comments: | | | | | | |
| Signature: | | | | | | |

*A System inhibitor efficacy test is required on every annual service in accordance with the manufacturers' instructions and BS 7593. It is only acceptable to not have undertaken this if the service engineers attendance visit was in between annual services to attend a non-water facing component.

| SERVICE/INTERIM WORK ON BOILER <small>delete as appropriate</small> | | | | | Date: | |
|--|-------------------|---------------------------|--------------------|---|--------------------|-----|
| Engineer name: | | Company name: | | | | |
| Telephone N°: | | Gas Safe registration N°: | | | | |
| Max rate | CO | ppm | CO ₂ | % | CO/CO ₂ | |
| Min rate | CO | ppm | CO ₂ | % | CO/CO ₂ | |
| Where possible, has a flue integrity check been undertaken in accordance with manufacturers' instructions, and readings are correct?* | | | | | yes | |
| Gas rate: | m ³ /h | OR | ft ³ /h | | | |
| Were parts fitted? <small>delete as appropriate</small> | | Yes | No | | | |
| Parts fitted: | | | | | | |
| System inhibitor concentration has been checked and appropriate action taken, in accordance with BS 7593 and boiler manufacturers' instructions. * | | | | | yes | n/a |
| Comments: | | | | | | |
| Signature: | | | | | | |

*A System inhibitor efficacy test is required on every annual service in accordance with the manufacturers' instructions and BS 7593. It is only acceptable to not have undertaken this if the service engineers attendance visit was in between annual services to attend a non-water facing component.

| SERVICE/INTERIM WORK ON BOILER <small>delete as appropriate</small> | | | | | Date: | |
|--|-------------------|---------------------------|--------------------|---|--------------------|-----|
| Engineer name: | | Company name: | | | | |
| Telephone N°: | | Gas Safe registration N°: | | | | |
| Max rate | CO | ppm | CO ₂ | % | CO/CO ₂ | |
| Min rate | CO | ppm | CO ₂ | % | CO/CO ₂ | |
| Where possible, has a flue integrity check been undertaken in accordance with manufacturers' instructions, and readings are correct?* | | | | | yes | |
| Gas rate: | m ³ /h | OR | ft ³ /h | | | |
| Were parts fitted? <small>delete as appropriate</small> | | Yes | No | | | |
| Parts fitted: | | | | | | |
| System inhibitor concentration has been checked and appropriate action taken, in accordance with BS 7593 and boiler manufacturers' instructions. * | | | | | yes | n/a |
| Comments: | | | | | | |
| Signature: | | | | | | |

*A System inhibitor efficacy test is required on every annual service in accordance with the manufacturers' instructions and BS 7593. It is only acceptable to not have undertaken this if the service engineers attendance visit was in between annual services to attend a non-water facing component.

| SERVICE/INTERIM WORK ON BOILER <small>delete as appropriate</small> | | | | | Date: | |
|--|-------------------|---------------------------|--------------------|---|--------------------|-----|
| Engineer name: | | Company name: | | | | |
| Telephone N°: | | Gas Safe registration N°: | | | | |
| Max rate | CO | ppm | CO ₂ | % | CO/CO ₂ | |
| Min rate | CO | ppm | CO ₂ | % | CO/CO ₂ | |
| Where possible, has a flue integrity check been undertaken in accordance with manufacturers' instructions, and readings are correct?* | | | | | yes | |
| Gas rate: | m ³ /h | OR | ft ³ /h | | | |
| Were parts fitted? <small>delete as appropriate</small> | | Yes | No | | | |
| Parts fitted: | | | | | | |
| System inhibitor concentration has been checked and appropriate action taken, in accordance with BS 7593 and boiler manufacturers' instructions. * | | | | | yes | n/a |
| Comments: | | | | | | |
| Signature: | | | | | | |

*A System inhibitor efficacy test is required on every annual service in accordance with the manufacturers' instructions and BS 7593. It is only acceptable to not have undertaken this if the service engineers attendance visit was in between annual services to attend a non-water facing component.

* All installations in England and Wales must be notified to Local Authority Building Control (LABC) either directly or through a Competent Persons Scheme. A Building Regulations Compliance Certificate will then be issued to the customer.



9 IMPORTANT NOTES

1. BOILER LOCATION
Always ensure the following clearances are available around the casing of the boiler:-
Top: (horizontal flue) 240 mm, **Top:** (vertical flue) 150 mm
Bottom: 150 mm, **Each side:** 5 mm, **Front:** 450 mm



2. FLUE TERMINAL
Do not store any other articles in a cupboard containing the boiler and never place any clothing or combustible material on or near the boiler or flue pipe.

The terminal on the outside wall must not be allowed to be obstructed. If it is damaged, in any way, turn the boiler off and contact your Service Engineer.
Note: The Alpha E-Tec Plus NX boiler is a high efficiency condensing boiler and when operating vapour will be emitted from the terminal. This is safe and quite normal.

3. MAINS FAILURE
In the event of an electrical supply failure the boiler will not operate. When the supply is restored, the boiler will return to normal operation. Remember to reset any controls, if fitted, when the supply is restored.
If the mains water supply fails, there will be no hot water from the taps. The boiler will continue to provide central heating.

4. ADDITIONAL BATHROOM FITTINGS
Any equipment such as mixing valves, showers, bidets etc. must be designed to operate at mains water pressure. Contact your plumbing merchant or installer for advice when considering purchasing such items.

5. CLEANING
Use only a damp cloth and mild detergent to clean the boiler outer casing. Do not use abrasive cleaners. Activate the keypad lock (see Fig. 1) when cleaning.

6. SERVICING
To maintain efficient and safe operation of your boiler, routine annual servicing is essential.
For advice on servicing contact:- The Alpha Helpline: 0344 871 8764.

7. GAS LEAK
If you smell gas or are worried about gas safety, turn off the gas supply. Do not touch any electrical switches, do not smoke, extinguish all naked flames and open all doors and windows. Contact the National Gas Emergency Service immediately on 0800 111 999.

8. ELECTRICAL SUPPLY
The boiler requires a 230 V ~ 50 Hz supply, fused at 3 A.
To connect a plug:-
The colour of the wires in the mains lead of the boiler may not correspond with the coloured markings identifying the terminals in your plug. In this case proceed as follows:-
The wire coloured green and yellow must be connected to the terminal in the plug that is marked with the letter **E**, or by the earth symbol \oplus , or coloured green or yellow.
The blue wire must be connected to the terminal which is marked with either the letter **N** or coloured black.
The brown wire must be connected to the terminal which is marked with the letter **L** or coloured red.

9. DO NOT TAMPER WITH THE APPLIANCE OR FLUE
THE APPLIANCE MUST BE EARTHED.

At the end of its service life, the appliance must not be disposed of like normal household waste nor abandoned in the environment, but must be removed by a professionally authorised company as required by current legislation. Contact the manufacturer for disposal instructions.

10 OPTIONAL BOILER CONTROLS (if fitted)

There is a range of controls available from Alpha to operate your boiler. In addition to the items listed below the Alpha E-Tec Plus boilers are compatible with most controls available on the market. However to get the most comfort and efficiency from your boiler we recommend the Alpha Climatic controls with enhanced remote boiler functions and efficiency control. Please refer to the instructions provided with the controls for further information on their setting and use.

Available Alpha controls:
Alpha Easy-Stat wireless programmable room thermostat Part No. 7.2000050
24hr mechanical heating clock (boiler mounted) Part No. 6.1000201
Alpha Climatic wired programmable boiler energy manager Part No. 3.022144
Alpha Climatic wireless programmable boiler energy manager (boiler mounted receiver) Part No. 3.022143
External weather compensation sensor Part No. 3.022383

5 FROST PROTECTION

The boiler has a built in frost protection function to protect the boiler (only) from freezing. If water within the boiler falls below 4°C the boiler will fire in heating mode and raise the temperature of the heating water (in the boiler only) to 30°C.

For this function to be active the gas and electricity supplies to the boiler must be turned and not in a fault.

Further protection for the mains water supply and heating circuit must be provided separately.

If Alpha external controls are fitted, a frost protection setting is incorporated into the room thermostat activating the central heating when the temperature falls below 5°C.



6 CONDENSATE DRAINAGE

High efficiency (condensing) boilers remove more useful heat from the combustion gases, resulting in additional water vapour which is collected within the boiler (as condensate) and run to a suitable drainage point via the condensate drainage pipe.

Where possible the condensate drain should be connected internally to a waste pipe within the property to prevent the risk of freezing.

If the condensate drain pipe runs outside it should be fitted with increased diameter pipe and be suitably lagged to reduce the risk from freezing.

In situations where there are extremes of temperature or wind-chill the use of a proprietary trace-heating system for external condensate drainage pipework, incorporating an external frost thermostat, should be considered.



8 BENCHMARK COMMISSIONING and SERVICING

Current Gas Safety (Installation and Use) Regulations:-

It is the law that all gas appliances are installed and serviced by a competent person, i.e. Gas Safe registered personnel. Failure to install or service appliances correctly could lead to prosecution. It is in your interest and that of safety to ensure compliance with the law. The manufacturer's instructions must not be taken in any way as overriding statutory obligations.

The Benchmark Checklist must be fully completed by the installer on installation of the boiler. The Benchmark Checklist is shown in back of the Installation and Servicing instructions. All Gas Safe registered installers carry a Gas Safe ID card and have a registration number. Both should be recorded in the Checklist. You can check your installer is Gas Safe registered by calling Gas Safe on 0800 408 5500.



It is a requirement that the boiler is installed and commissioned to the manufacturers instructions and the data fields on the commissioning checklist completed in full.

To investigate the boiler guarantee the boiler needs to be registered with the manufacturer within one month of the installation.



To maintain the boiler guarantee it is essential that the boiler is serviced annually by a Gas Safe registered engineer who has been trained on the boiler installed. The service details should be recorded on the Benchmark Service Interval Record and left with the householder.

3 HEATING AND HOT WATER TEMPERATURE

Standby - In this mode the boiler will not provide hot water or central heating, but frost protection and pump circulation features are still active.

Off - In this mode there is electrical power to the boiler but the boiler will not function in any condition.

On - In this mode the boiler can be switched between 'Summer' or 'Winter' settings by pressing the 'Mode' button.


Summer setting - The boiler will only provide hot water when a tap is turned on and the central heating will not activate even if requested by external controls (frost protection and pump cycle are still active).

Winter setting - The boiler will operate in both heating and hot water. The heating will activate depending on the time and temperature from any heating controls fitted. Hot water will always take priority over heating when a hot outlet tap is opened.

The temperature of the hot water to the taps can be adjusted by using the hot water temperature control buttons (items 4 and 5 in Fig. 1) to the required value shown on the display in °C.



When a tap is opened the display will indicate the temperature of water in the boiler heating the tap water and not the actual water temperature to the tap.

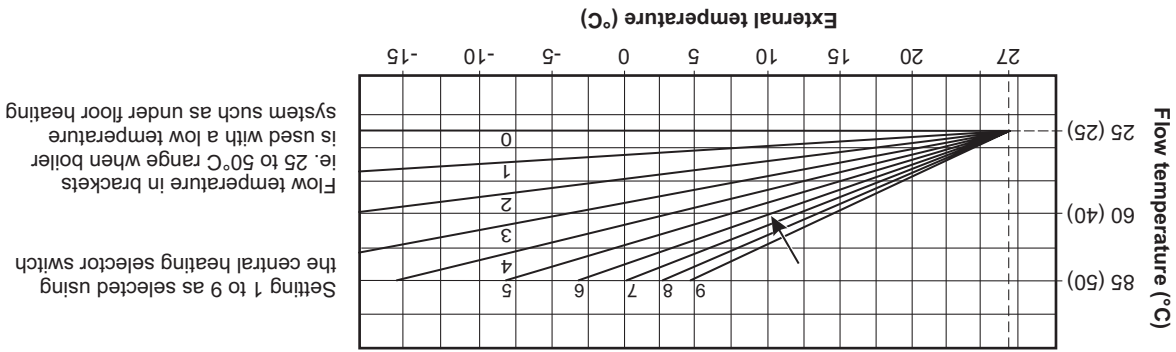
Attention: Water at a temperature greater than 50°C can cause serious burns. Always check the water temperature before use. The temperature of the central heating water can be adjusted by using the heating temperature control buttons (items 7 and 8 in Fig. 1). When the heating is on the temperature of the water leaving the boiler to the radiators will be displayed. If an external weather compensation probe is fitted, indicated by the  symbol (item 14 in Fig. 1) in the display, it will automatically vary the temperature of the water in the radiators and on a mild day the radiators will not feel as hot as on a cold day, this is normal and not a fault with the boiler or heating circuit. The room temperature will still be maintained as set by the room thermostat.

When an external weather sensor is fitted, the central heating temperature control buttons (items 7 and 8 in Fig. 1) will no longer adjust the flow temperature in °C, instead the display will show a scale of 1 to 9. Each number corresponds to a line on the graph in Fig 2 i.e. line 6 will give a flow temperature of 60°C when the external temperature is 10°C.

Note: This is the temperature of the water supplied to the radiators and not the desired room temperature. The time and temperature will still be maintained according to the setting of the room thermostat.

4 FILL AND PRESSURISE THE SYSTEM

Fig. 2 - External weather compensation probe fitted



Setting 1 to 9 as selected using the central heating selector switch

Flow temperature in brackets is used with a low temperature system such as under floor heating

Do not attempt to fill or pressurise the system while the system is hot - wait for it to cool.



The system pressure when cold should be 1 bar i.e. within the green section of the pressure gauge. E-Tec Plus NX models have an integrated filling loop underneath the boiler combined with the isolation valves. It may be necessary to remove the cover under the boiler to expose the filling loop.

Check the loop is fully connected by the sliding the brass section between the cold mains inlet and the left primary return tightening to seal. Carefully open the black tap on the right return connection, now slowly open the left black tap and the system will begin to fill.

Observe the reading on the pressure gauge and close the tap when the pointer is in the upper green section just above 1 bar. It is normal for the pressure to rise above the green section when the heating is on as the system expands.

If the system is overfilled and the pressure is greater than the green section when cold the pressure can be reduced by carefully venting some water from a radiator.

Refer to Fig. 5.4 in this manual.

Please read these instructions carefully before operating your boiler.

1 INTRODUCTION

The Alpha E-Tec Plus NX range of high efficiency condensing boilers incorporates the latest technology in boiler design. With improved burner efficiency and reduced electrical consumption together with high quality and reliability. The boiler output will automatically adjust according to the requirements of the system.

The E-Tec Plus NX range are designed to work with most central heating controls however we recommend the Alpha Comfort or Easy-Stat standard controls or the enhanced Alpha Climatic boiler energy manager further improving the system in addition all E-Tec Plus NX models feature optional connections for an outside sensor to enable the boilers built in weather compensation feature.

The boilers will provide central heating when required during the on times as set according to the controls fitted. Hot water will always take priority over the central heating whenever a hot tap is opened.

Refer to Section 2 of the installation and Servicing document for the meaning of the information symbols.

2 OPERATING THE BOILER

The boiler can be used by children at least 8 years old as well as by persons with reduced physical, sensory or mental capabilities, lack of experience or required knowledge providing that they are under surveillance, or after they have been instructed relating to the safe use and have understood the potential dangers. Children must not play with the appliance. Cleaning and maintenance destined to be performed by the user cannot be carried out by unsupervised children.

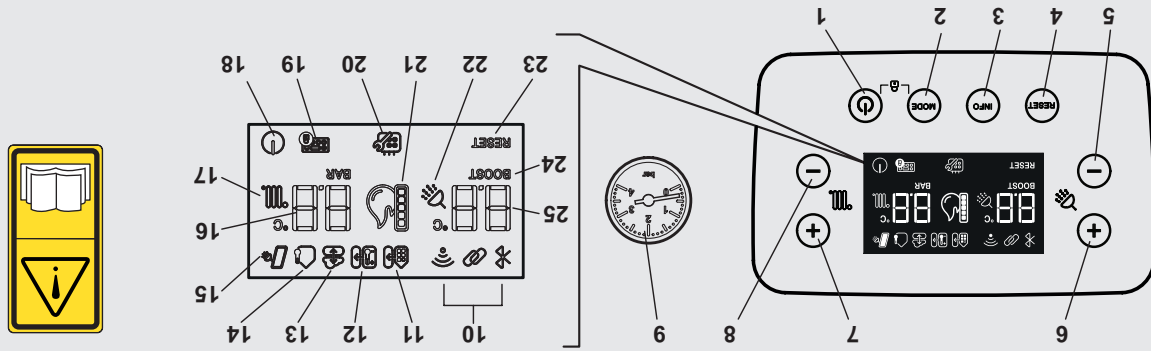


The boiler controls are located on the control panel behind the flap.

Make sure the heating system is filled and the needle on the pressure gauge (item 9 in Fig. 1) is in the green band when cold. If incorrect refer to Section 4.



Fig. 1



- 1 - On/Off button
- 2 - Operating mode button
- 3 - Information Button
- 4 - Reset button
- 5 - Decrease DHW temperature
- 6 - Increase DHW temperature
- 7 - Increase heating system temperature
- 8 - Decrease heating system temperature
- 9 - System pressure gauge
- 10 - Not used
- 11 - Not used
- 12 - Remote control connection (optional)
- 13 - External server connection
- 14 - External weather probe (optional)
- 15 - Active solar supply (pre-heated inlet)
- 16 - Central heating system set temperature
- 17 - Central heating active indicator
- 18 - Boiler in Stand-by mode
- 19 - Keypad lock active
- 20 - Set maintenance request
- 21 - Flame present symbol and output scale
- 22 - DHW active indicator
- 23 - Boiler 'lock-out' press RESET button
- 24 - Pre-heat function enabled
- 25 - DHW set temperature

If the boiler is locked out and an error code is shown on the display, the RESET button can be pressed to try and clear the fault. If the fault still occurs after pressing RESET, then contact an approved engineer or Alpha service support department.

Note: Pressing buttons 1 and 2 together for five seconds will activate or deactivate the keyboard lock.

Switch the boiler on at the mains supply socket switch.

The boiler carries out the air vent function, 'dl' is displayed and the function starts for 8 minutes.

Press reset to exit the air vent function early, if required.

At the end of the air vent function it is possible to change the state of the boiler by pressing the On/Off (⏻) or 'Mode' buttons as described below.

To activate the keyboard press any button, then press the correct button to activate the chosen function.

Off mode

Press the On/Off (⏻) button; from the moment the boiler remains inactive and the display shows the (⏻) symbol flashing. Any remote controls cannot bring the boiler out of this state and fault 83 is shown on the remote control.

Stand-by mode (only available with remote control connected)

The boiler can ONLY be put into stand-by mode by a remote control: in this case the (⏻) symbol appears steady on the display. By pressing the 'Mode' button the different functioning mode can be selected: DHW only, DHW + CH or CH only. Refer to Section 6.5 of the installation instructions for further details.

User

Instructions

E-Tec Plus 28NX, 33NX and 38NX

Wall Mounted, Fan Assisted, Room Sealed,

Gas Fired, High Efficiency Condensing Combination Boiler

For Technical help or for Service call ...
ALPHA HELPLINE Tel 0344 871 8764
website: www.alpha-innovation.co.uk

Alpha
HEATING INNOVATION

Nepicar House, London Road,
Wrotham Heath, Sevenoaks,
Kent TN15 7RS

Alpha E-Tec Plus 28NX G.C. No. 47 532 89
Alpha E-Tec Plus 33NX G.C. No. 47 532 90
Alpha E-Tec Plus 38NX G.C. No. 47 532 91



Leave these instructions with the User